



US009611611B2

(12) **United States Patent**
Klekotka et al.

(10) **Patent No.:** **US 9,611,611 B2**

(45) **Date of Patent:** **Apr. 4, 2017**

(54) **GROUT PLUG ASSEMBLY TO FACILITATE GROUTING DURING PIPE PILING PLACEMENT**

(58) **Field of Classification Search**
CPC E02D 7/00; E02D 5/54; E02D 7/22; E02D 7/26; E02D 3/12; E02D 5/56;
(Continued)

(71) Applicant: **American Piledriving Equipment, Inc.**, Kent, WA (US)

(56) **References Cited**

(72) Inventors: **Joseph M. Klekotka**, Seattle, WA (US); **Paul W. Suver**, Seattle, WA (US); **Gerald A. Cors**, Buckley, WA (US)

U.S. PATENT DOCUMENTS

3,354,657 A 11/1967 Turzillo
4,426,175 A 1/1984 Lin
(Continued)

(73) Assignee: **American Piledriving Equipment, Inc.**, Kent, WA (US)

FOREIGN PATENT DOCUMENTS

(*) Notice: Subject to any disclaimer, the term of this patent is extended or adjusted under 35 U.S.C. 154(b) by 474 days.

GB 2267926 12/1993
GB 2267926 A 12/1993

Primary Examiner — Benjamin Fiorello
Assistant Examiner — Carib Oquendo
(74) *Attorney, Agent, or Firm* — Madson IP, P.C.

(21) Appl. No.: **14/137,838**

(57) **ABSTRACT**

(22) Filed: **Dec. 20, 2013**

A grouting assembly receives grout and delivers the grout to a pipe assembly for delivery to underground soil. The grouting assembly may have a drive shaft assembly with a rotary output shaft and a drive socket, a grout tube, a drivable coupler, and a grout plug assembly. The grout plug assembly inserts into the drivable coupler and accepts the grout tube in sealed engagement. The rotary output shaft, grout tube, and grout plug assembly define a conduit that provides an unobstructed flow path for the grout into the pipe assembly. The bottom-most pipe segment of the pipe assembly is designed to receive grout introduced through the pipe assembly so that the grout can be emitted through grout ports during the driving of the pile assembly into soil. The emitted grout forms a grout/soil mixture jacket within the disturbed soil along an exterior of the pipe pile assembly which adds appreciably to the overall stability, and particularly the lateral stability, of the pipe pile column created.

(65) **Prior Publication Data**
US 2014/0105689 A1 Apr. 17, 2014

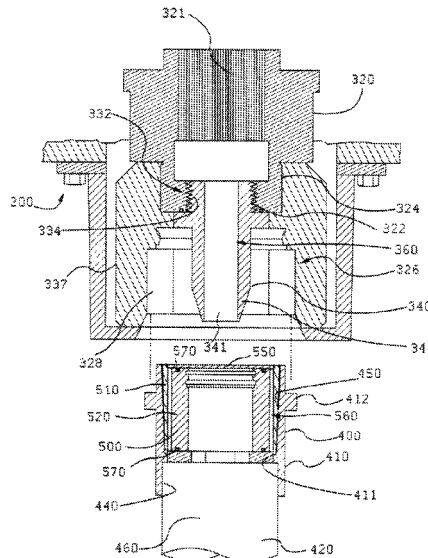
Related U.S. Application Data

(63) Continuation-in-part of application No. 13/917,183, filed on Jun. 13, 2013, and a continuation-in-part of application No. 12/594,839, filed on Aug. 26, 2012.
(Continued)

(51) **Int. Cl.**
E02D 7/00 (2006.01)
E21B 33/13 (2006.01)
E02D 5/54 (2006.01)

(52) **U.S. Cl.**
CPC **E02D 7/00** (2013.01); **E02D 5/54** (2013.01); **E21B 33/13** (2013.01)

14 Claims, 24 Drawing Sheets



Related U.S. Application Data

- (60) Provisional application No. 61/831,554, filed on Jun. 5, 2013, provisional application No. 61/528,116, filed on Aug. 26, 2011, provisional application No. 61/660,292, filed on Jun. 15, 2012.

- (58) **Field of Classification Search**

CPC . E02D 2250/003; E02D 2600/20; E02D 5/34;
E02D 5/62; E02D 5/46; E21B 17/02;
E21B 33/13; F16L 15/08; E21D 20/021;
F16B 7/20; F16B 7/182

See application file for complete search history.

- (56) **References Cited**

U.S. PATENT DOCUMENTS

4,668,119	A	5/1987	Galletti	
4,732,510	A *	3/1988	Louis E02D 5/62 405/232
5,002,435	A	3/1991	Dupeuble	
5,261,761	A *	11/1993	Knappert E03F 5/021 285/148.18
5,575,593	A *	11/1996	Raaf E02D 5/30 405/232
5,904,447	A	5/1999	Sutton et al.	
6,264,402	B1	7/2001	Vickars et al.	
6,386,295	B1	5/2002	Suver	
6,942,430	B1	9/2005	Suver	
7,731,454	B1	6/2010	Watson et al.	
7,950,876	B2	5/2011	Suver	
2003/0089525	A1 *	5/2003	Sherwood E02D 5/36 175/57
2007/0231081	A1	10/2007	Gantt, Jr.	
2010/0098502	A1	4/2010	Suver	
2011/0158752	A1	6/2011	Hitchin	

* cited by examiner

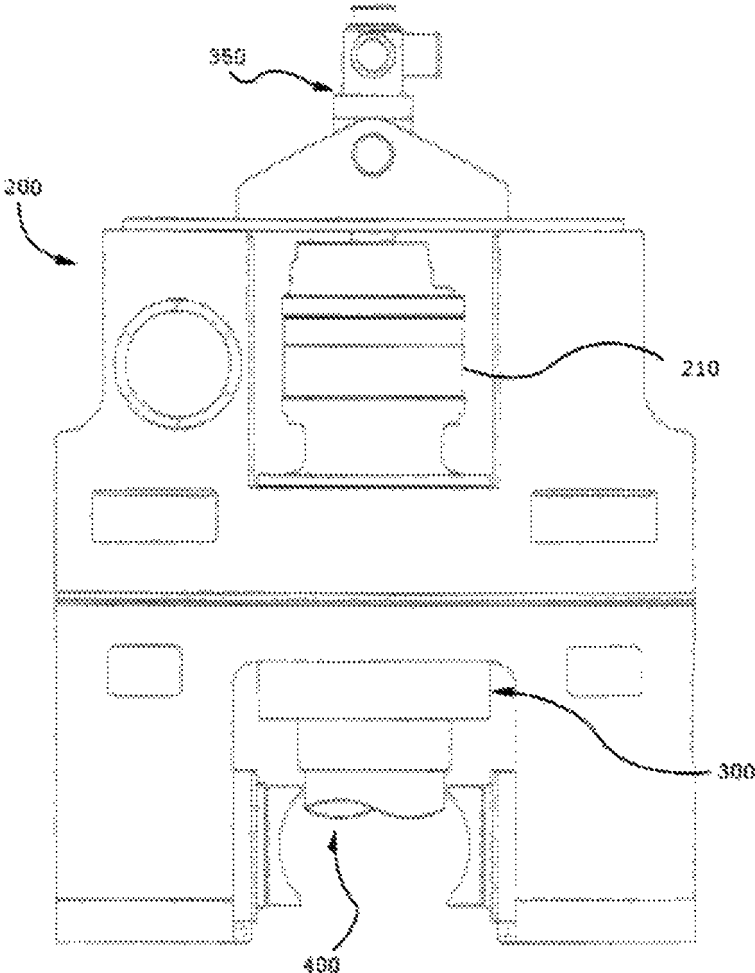


FIG. 2

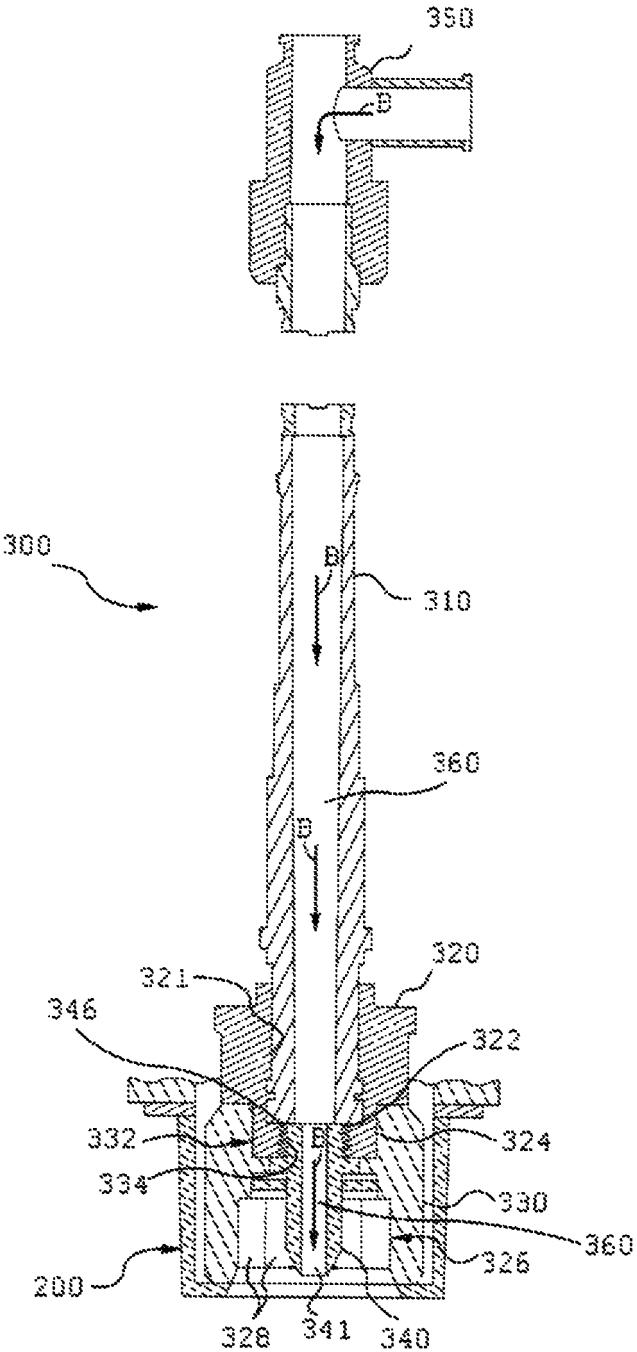


FIG. 3

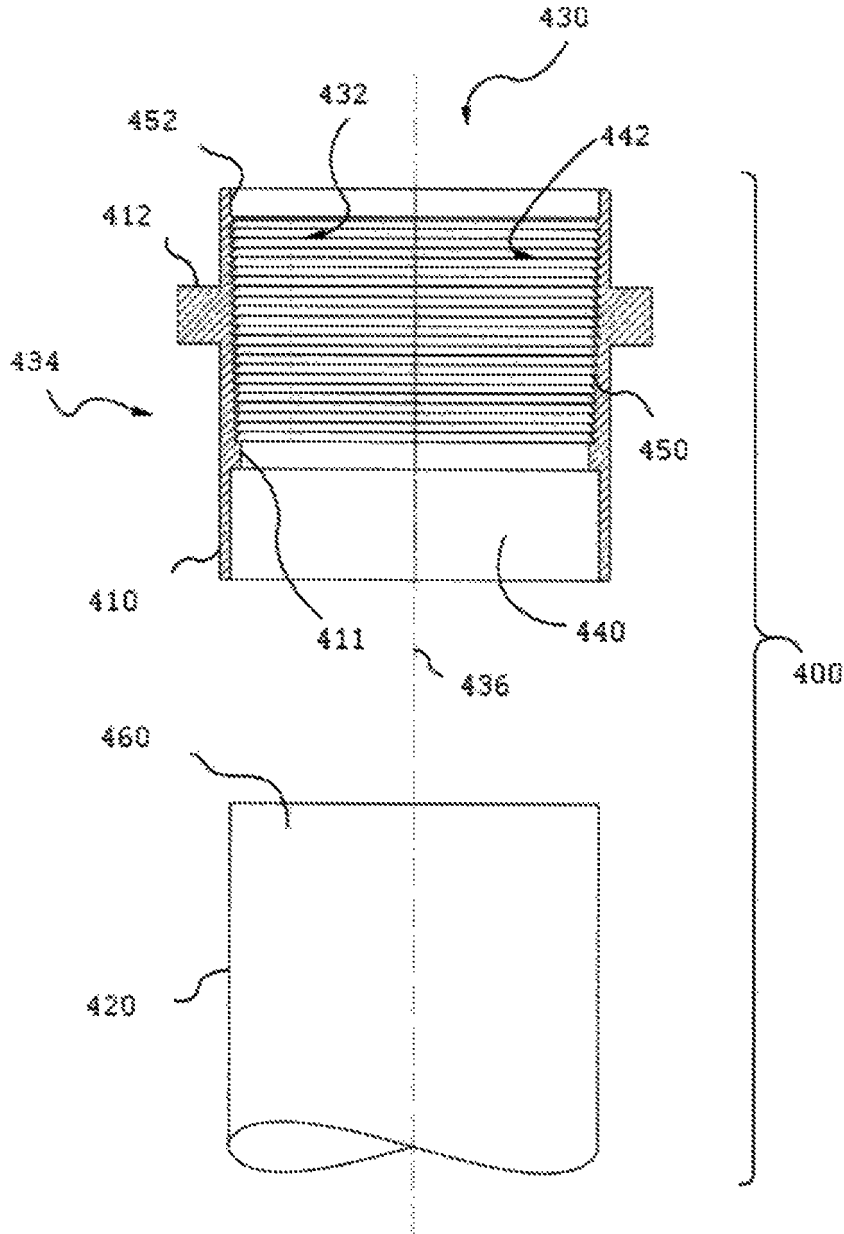


FIG. 4

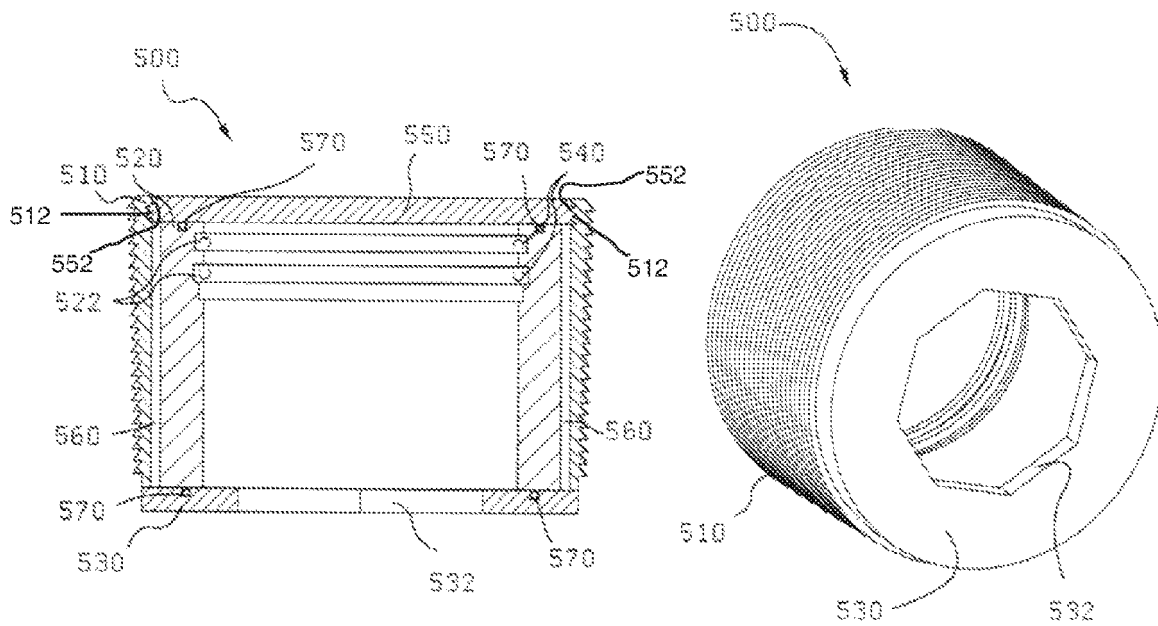


FIG. 5A

FIG. 5B

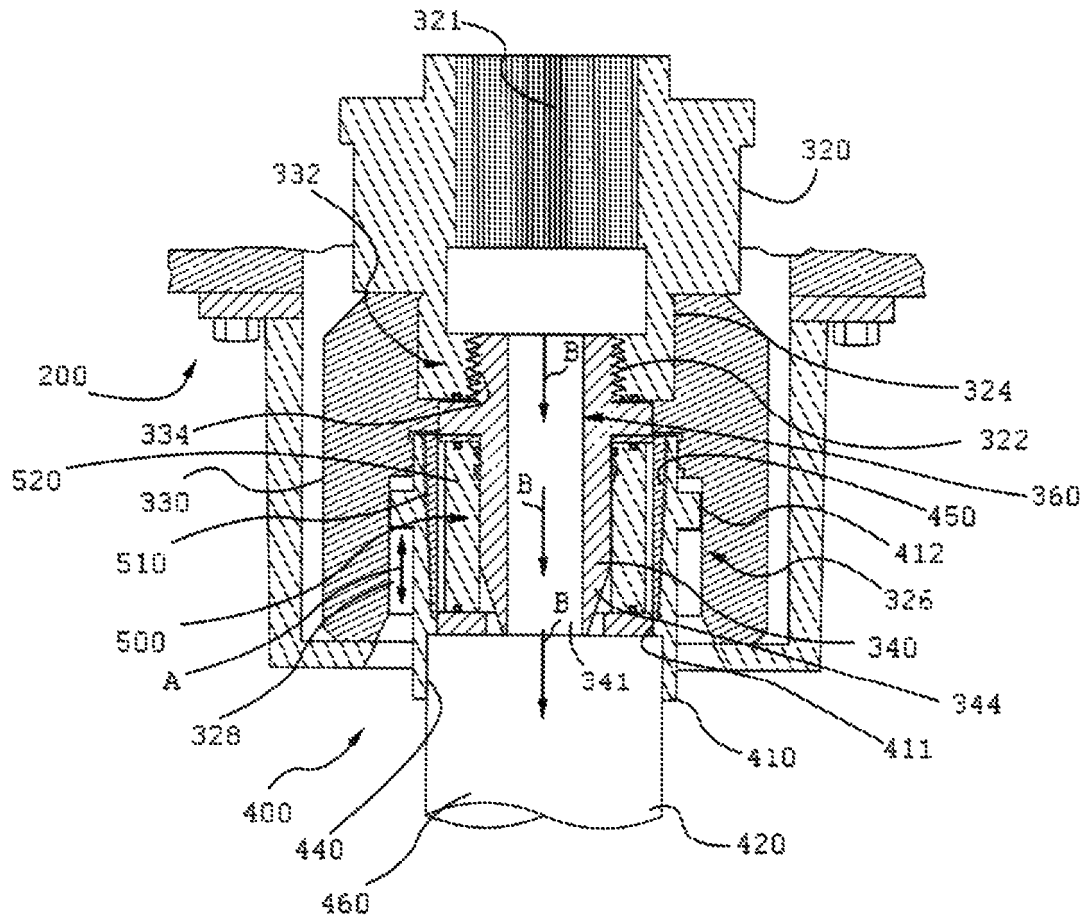
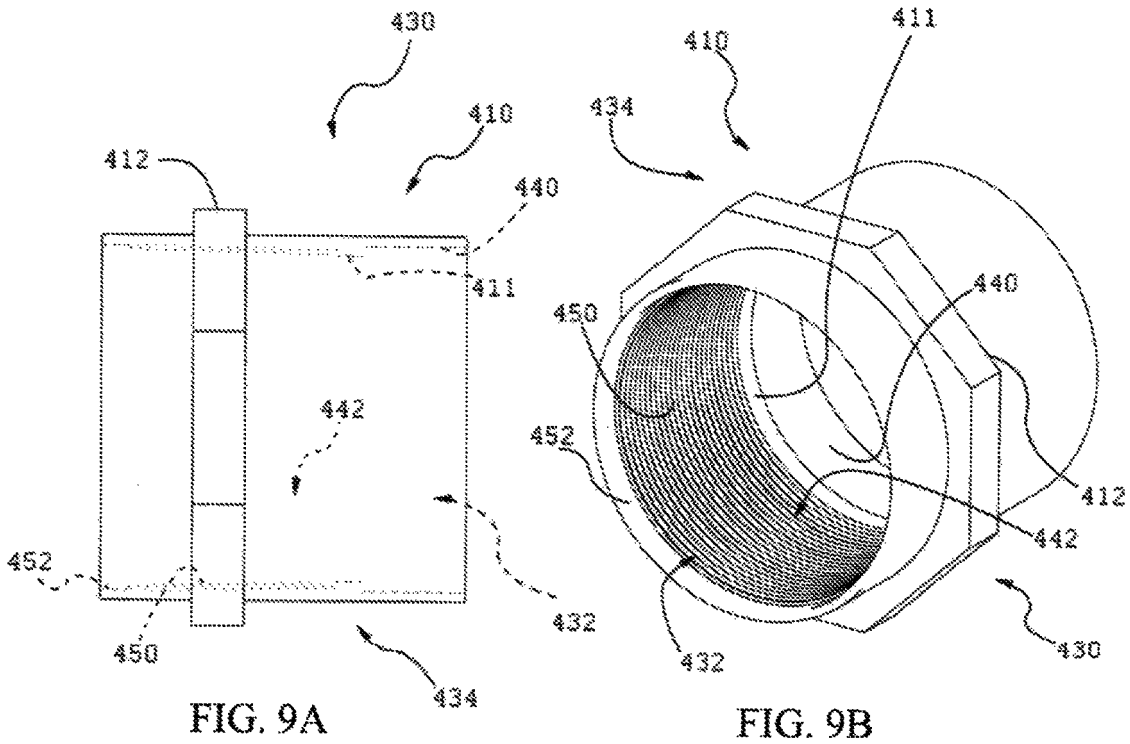


FIG. 7



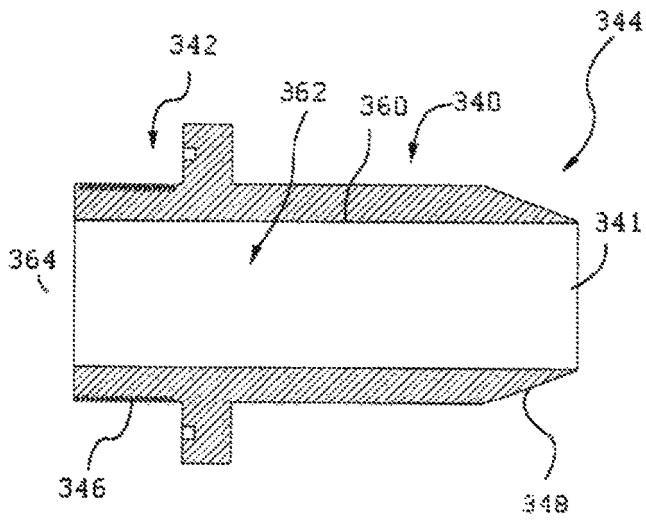


FIG. 10A

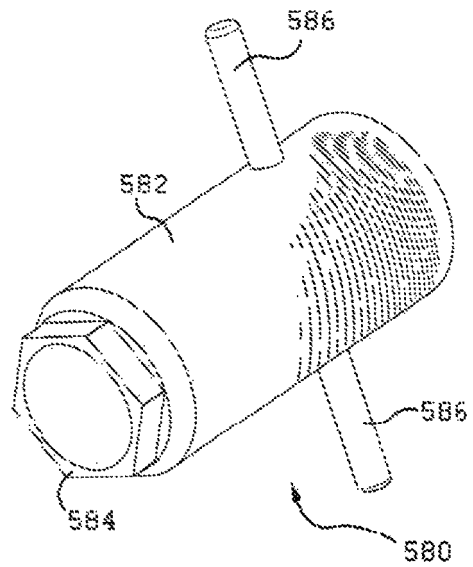


FIG. 10B

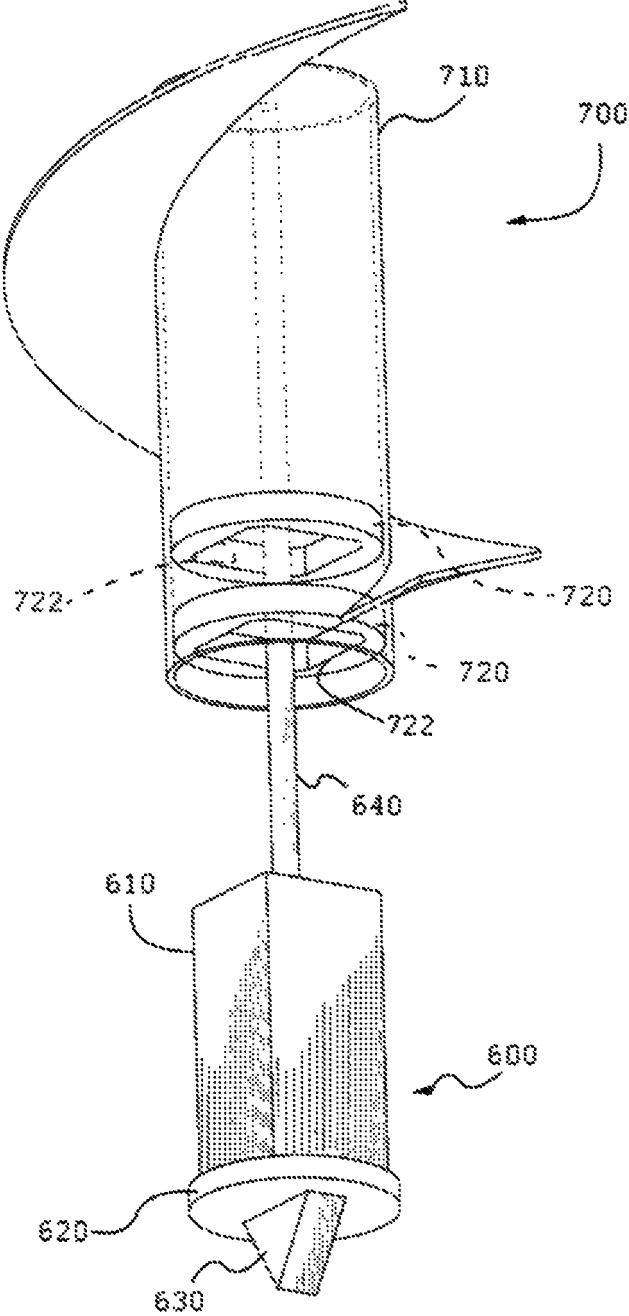


FIG. 11

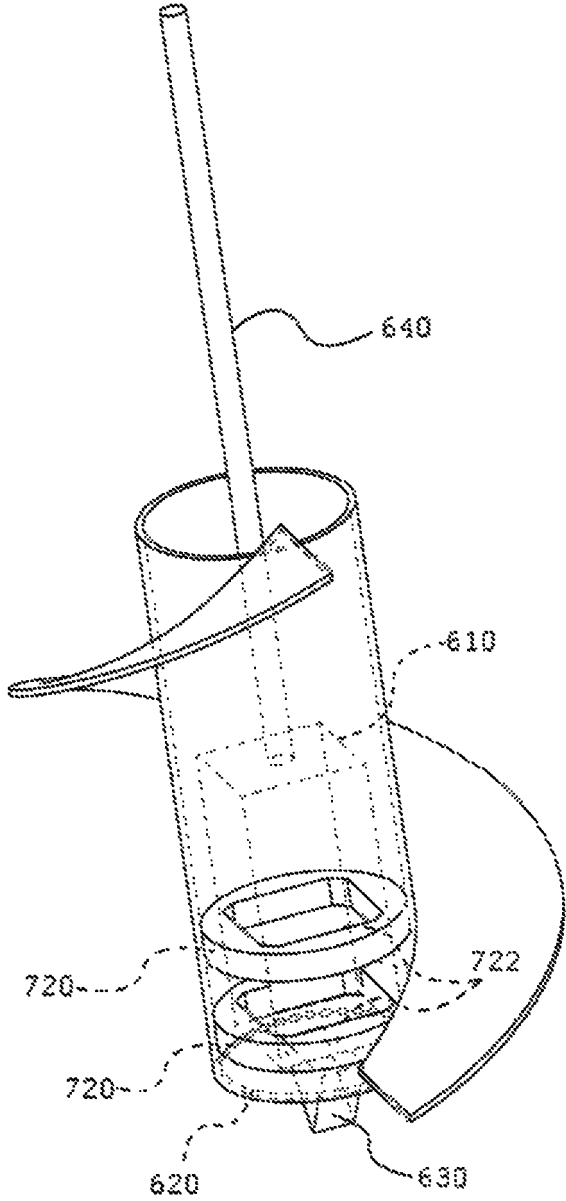


FIG. 12

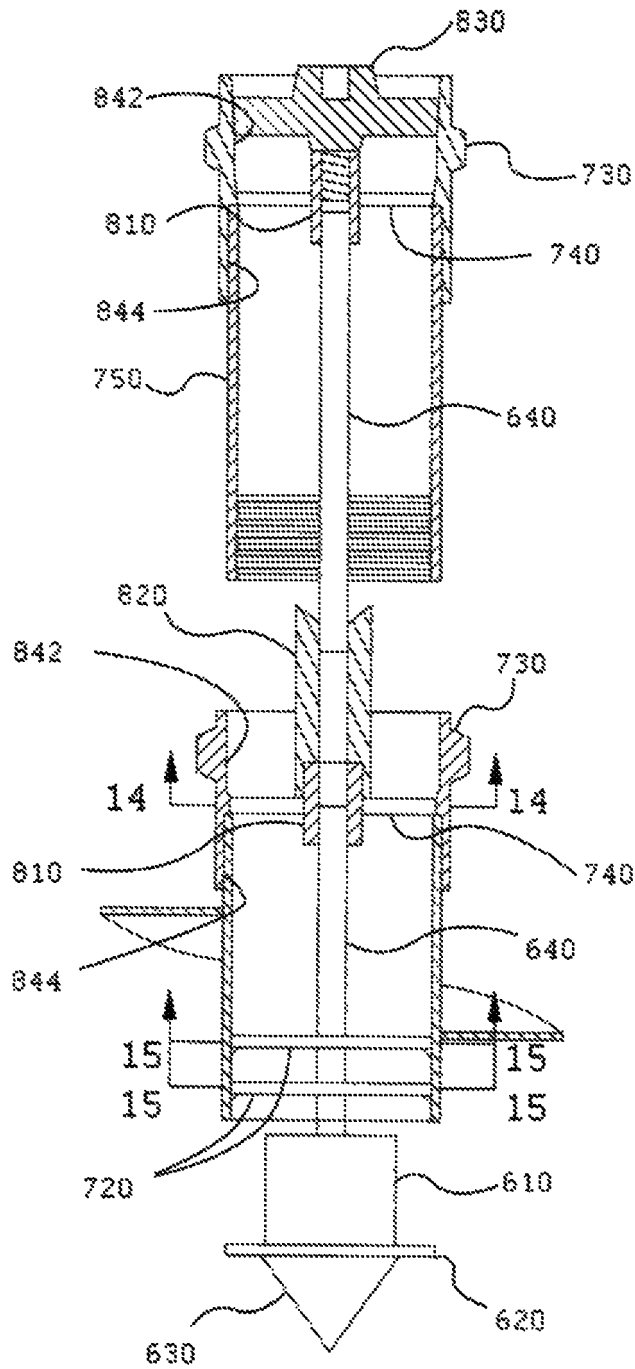


FIG. 13

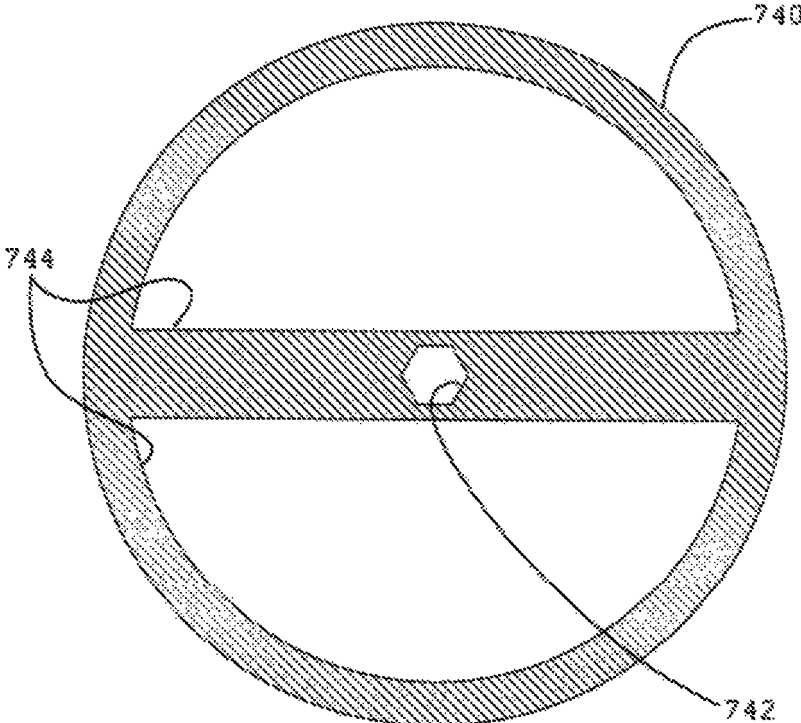


FIG. 14

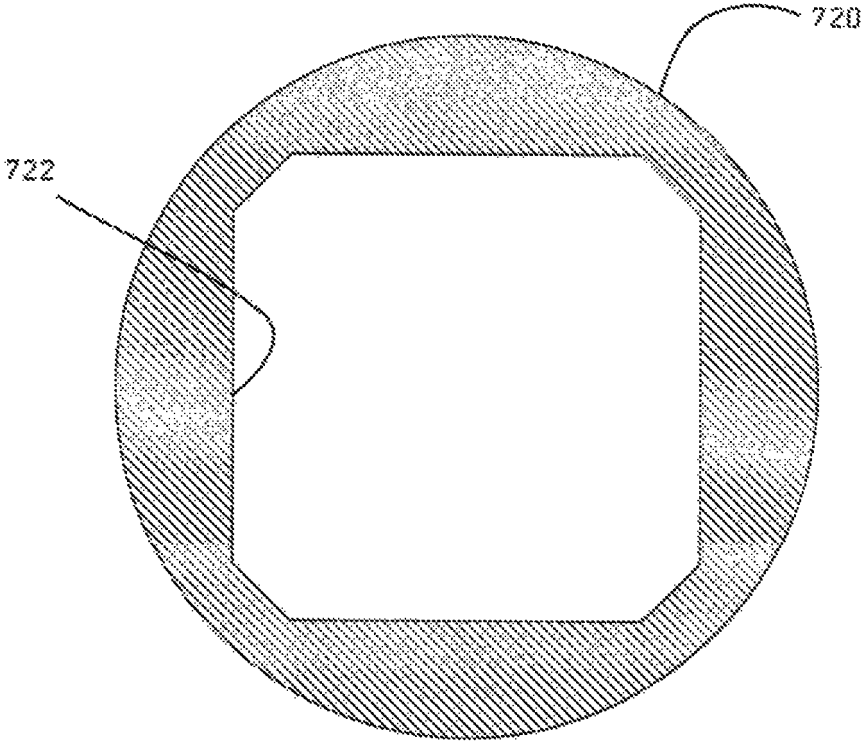


FIG. 15

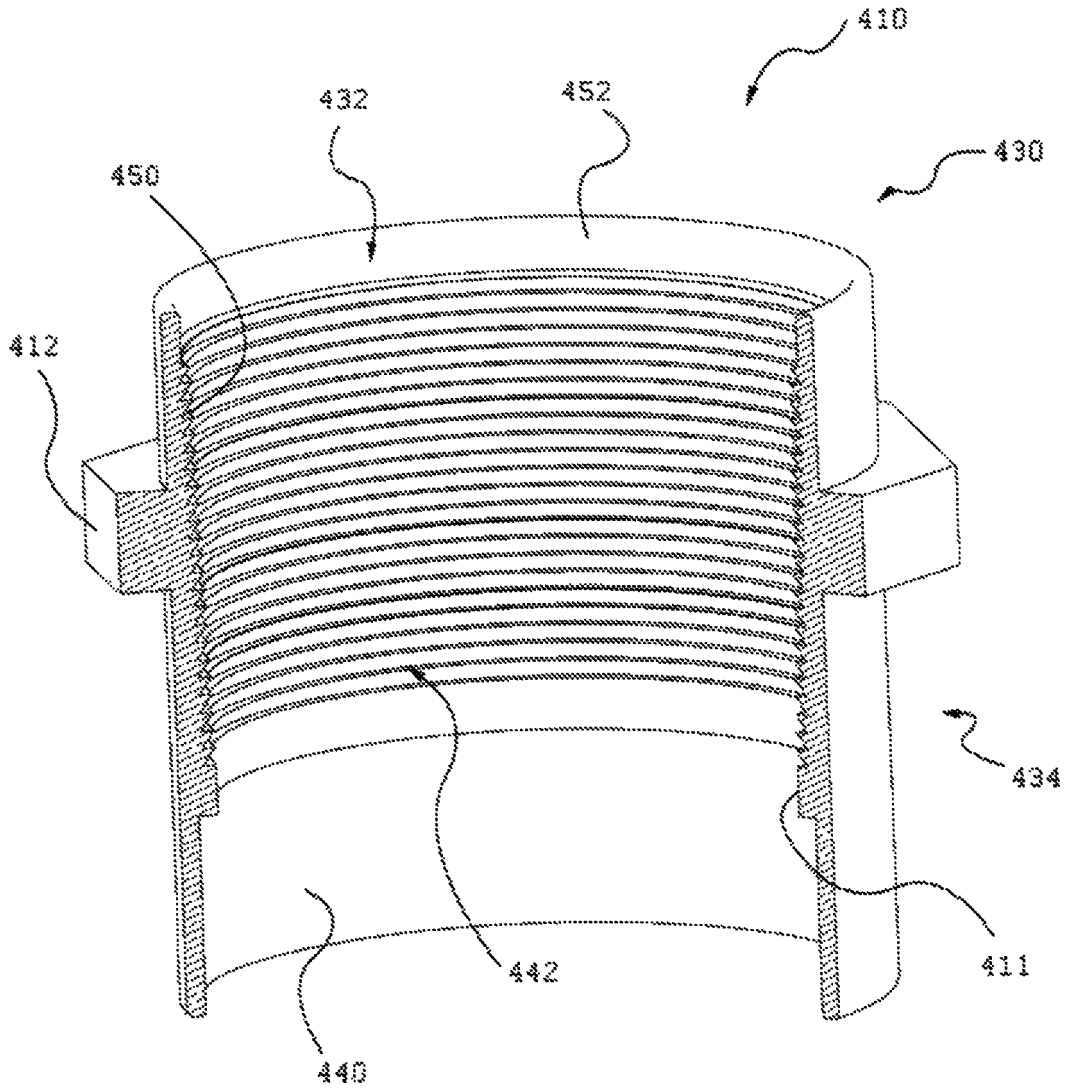


FIG. 16

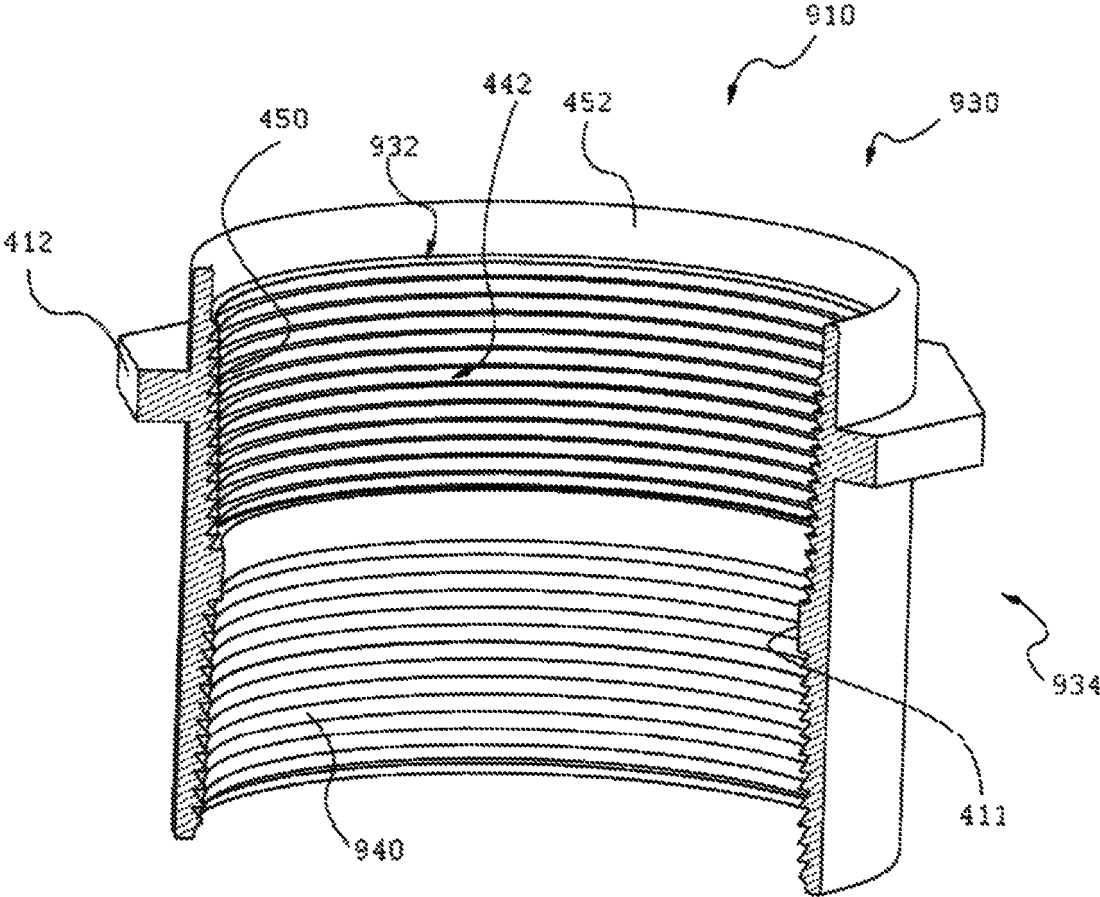


FIG. 18

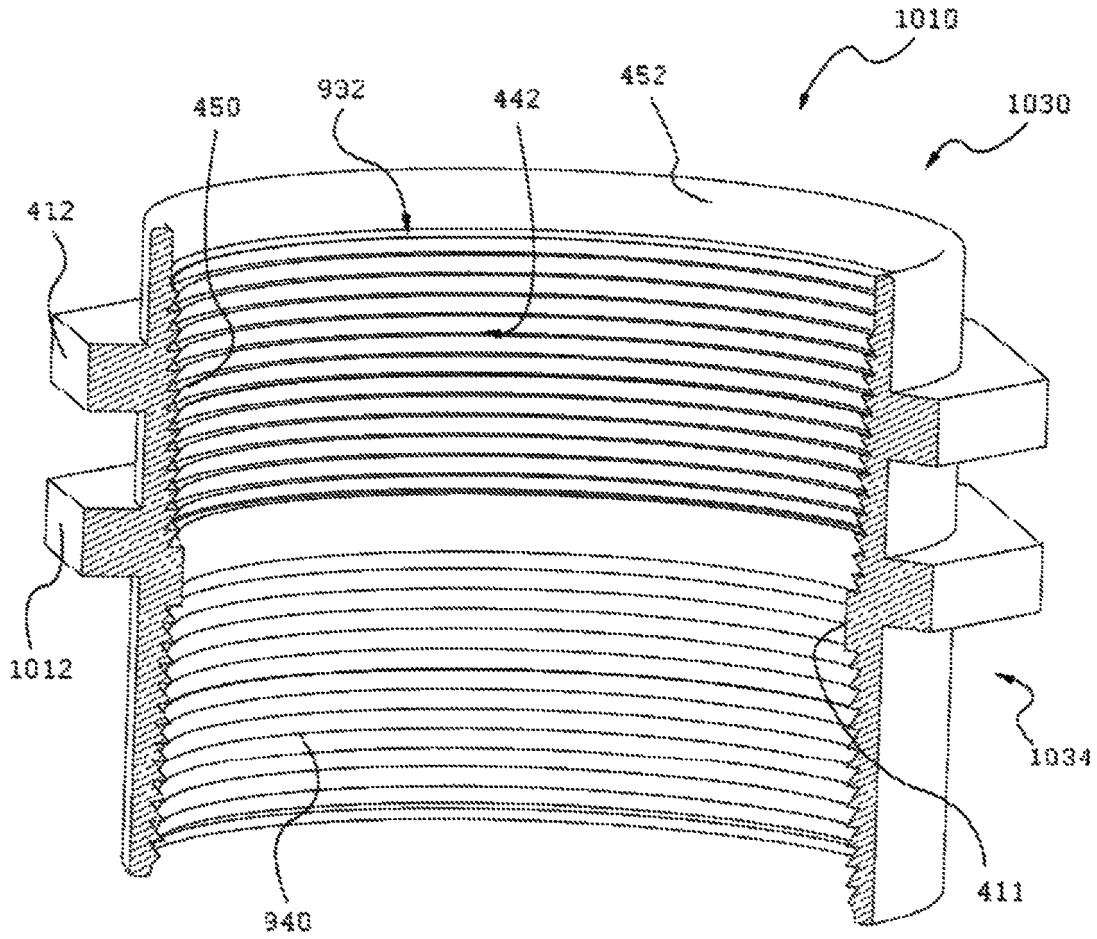


FIG. 20

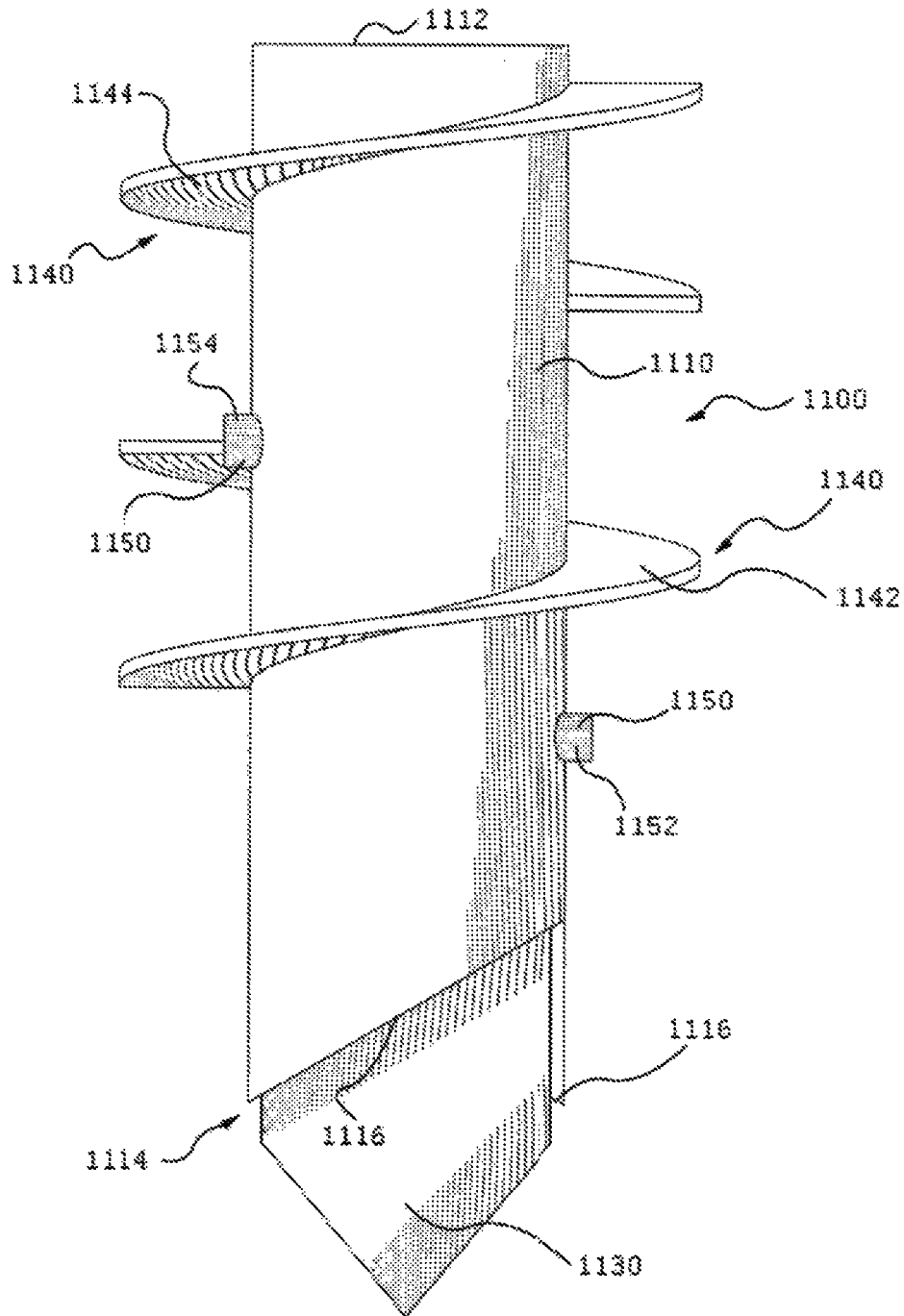


FIG. 21

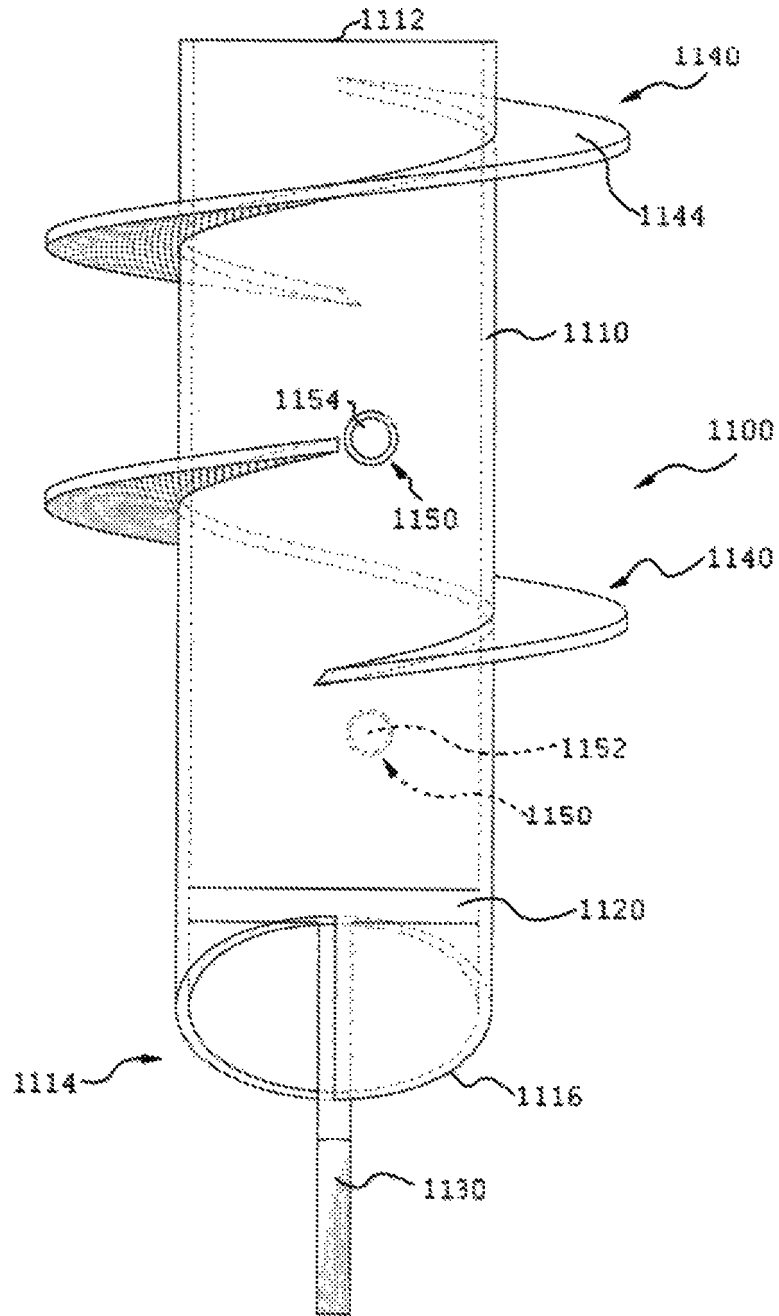


FIG. 22

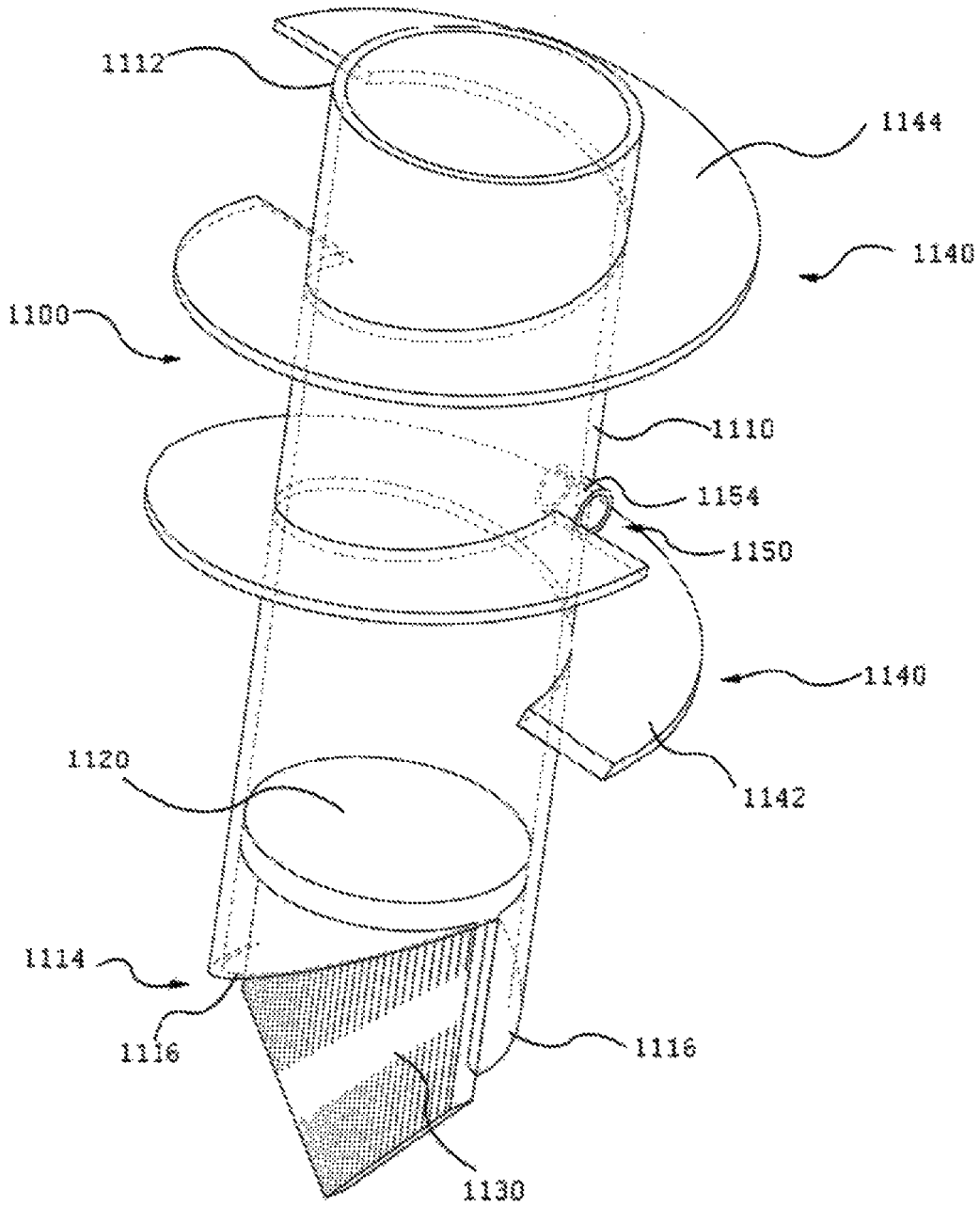


FIG. 23

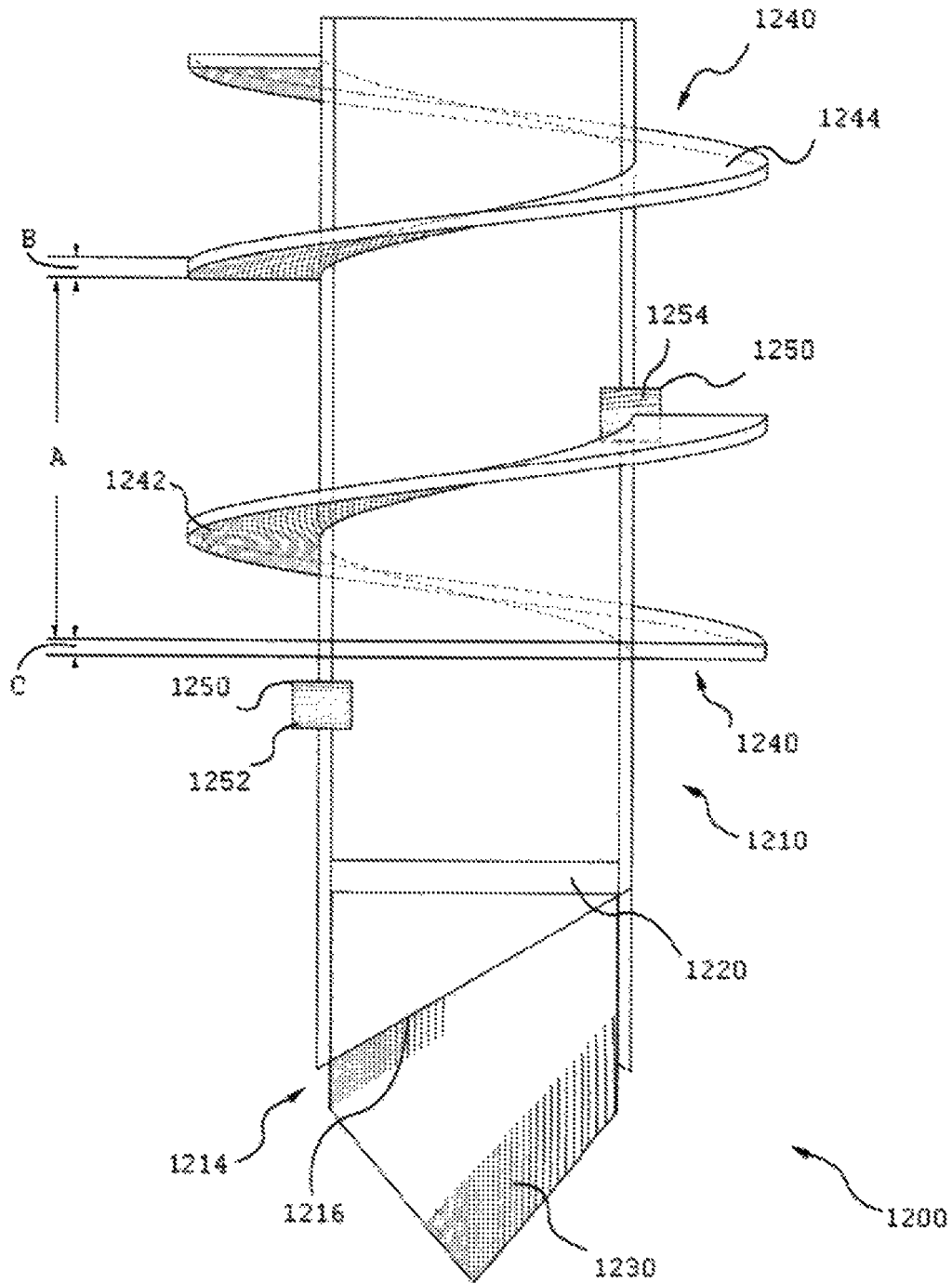


FIG. 24

1

**GROUT PLUG ASSEMBLY TO FACILITATE
GROUTING DURING PIPE PILING
PLACEMENT**

RELATED APPLICATIONS

This application is a continuation-in-part of U.S. patent application Ser. No. 13/917,183, filed on Jun. 13, 2013, and entitled APPARATUS AND METHODS FOR THE PLACEMENT OF PIPE PILING WITH CONTINUOUS GROUTING which is a continuation-in-part of U.S. patent application Ser. No. 13/594,839, filed on Aug. 26, 2012 and entitled APPARATUS AND METHODS FOR THE PLACEMENT OF PIPE PILING, and which claims benefit of priority to U.S. Provisional Patent Application No. 61/831,554, filed Jun. 5, 2013, U.S. Provisional Patent Application No. 61/831,535, filed Jun. 5, 2013, U.S. Provisional Patent Application No. 61/528,116, filed Aug. 26, 2012, and U.S. Provisional Patent Application No. 61/660,292, filed Jun. 15, 2012, each of which are incorporated by this reference as if fully set forth herein. This application is related to U.S. patent application Ser. No. 13/917,132, filed on Jun. 13, 2013, and entitled APPARATUS AND METHODS FOR PIPE PILING PLACEMENT. This application is also related to U.S. Pat. No. 6,386,295 filed Mar. 10, 2000; U.S. Pat. No. 6,942,430 filed Mar. 10, 2004; and U.S. Pat. No. 7,950,876 filed Oct. 21, 2008, and all three patents are hereby incorporated by reference as if fully set forth herein.

FIELD OF THE DISCLOSURE

This disclosure relates to the placement of pilings, and in particular pipe pilings, in the ground to act as structural supports, geothermal piles, or both. In addition to specialized fittings for pipe pile assemblies, the disclosure includes specialized drive mechanisms used in conjunction with rotary or vibratory motors. Methods of installing pipe pilings are improved with the disclosure of methods of adding grout or similar materials during or after installation of the piles, or continuously during driving of the pile.

BACKGROUND OF THE DISCLOSURE

U.S. Pat. Nos. 6,386,295 and 6,942,430, which are incorporated here by reference, disclosed the use of vibratory and rotary drivers for the installation of pipe piling. Pipe piles, as used in the installation of structural foundations or geothermal piles, are segments of pipe that must be connected and driven together from the surface to reach the desired depth. Consequently, whether used in connection with vibratory or rotary drivers, the connection between pipe pile segments is vitally important to maximizing the driving power and reducing the possibility of failure of the pipe segment connection points. As the length of the column increases, weaknesses in the junctions between the pipe pile segments weaken the entire column, making it important to limit movement in the junctions.

Thus, prior art methods that require the use of bolts through pipe piles and connectors may lead to high stresses, and hence the risk of mechanical failure, for example, by shearing of the bolt. Where such fasteners are not used, known pipe coupling systems may have other drawbacks. For example, the torque applied to the coupled joint may cause over-threading of the pile and associated coupler, leading to high stresses, improper attachment, and potentially, mechanical failure of the joint.

2

While it is generally acknowledged that installation of pipe pilings is improved in stability and/or strength when installed with grout or similar material along the exterior of the column, prior art methods, including those disclosing push-out tips, are limited by the actual ability to push out the tip at the bottom of the column, or by difficulty in handling the grout during installation.

The citation of documents herein is not to be construed as reflecting an admission that any is relevant prior art. Moreover, their citation is not an indication of a search for relevant disclosures. All statements regarding the date(s) or contents of the documents is based on available information and is not an admission as to their accuracy or correctness.

BRIEF SUMMARY OF THE DISCLOSURE

The various systems and methods of the present disclosure have been developed in response to the present state of the art, and in particular, in response to the problems and needs in the art that have not yet been fully solved by currently available systems and methods. Thus, it is advantageous to provide systems and methods that provide reliable pipe pile assemblies in a wide variety of situations, including continuous grouting while driving a pipe pile. Further, it is advantageous to minimize manufacturing and installation costs. The present disclosure may have other benefits that are not specifically set forth herein, but such other benefits will be understood by those skilled in the art once armed with this disclosure.

To achieve the foregoing, and in accordance with the disclosure as embodied and broadly described herein, a coupler may include a body having a generally tubular shape having an axis, the body having an exterior surface and an interior surface, the interior surface having a lower receiving feature shaped to receive a top end of a subtending pipe segment. The coupler may also have a first flange secured to the exterior surface, wherein the first flange extends generally perpendicular to the axis, the first flange having a first noncircular shape insertable into a drive socket to enable the drive socket to transmit rotation about the axis to the body through the first flange. The coupler may also have a second flange secured to the exterior surface, wherein the second flange extends generally perpendicular to the axis, the second flange having a second shape that is aligned with the first noncircular shape such that the second shape is also insertable into the drive socket to enable the drive socket to transmit rotation about the axis to the body through the second flange. The first and second flanges may be spaced apart from each other. The combination of the first and second flanges, as described, assures that the drive socket engages the first and second flanges in a non-binding axial alignment so that the efficiency of the rotational drive imparted by the drive socket is maximized.

The first noncircular shape may be an equilateral polygon, and the second shape is substantially identical to the first noncircular shape. The lower receiving feature may have a lower smooth bore shaped to receive a smooth exterior surface of the top end of the subtending pipe segment. Alternatively, the lower receiving feature may have a lower threaded bore shaped to receive a threaded exterior surface of the top end of the subtending pipe segment.

The interior surface may further have an upper receiving feature shaped to receive a bottom end of an overhead pipe segment. The upper receiving feature may have an upper threaded bore shaped to receive a threaded exterior surface of the bottom end of the overhead pipe segment. The upper receiving feature may further have a lead-in portion above

3

the upper threaded bore. The lead-in portion may have an upper smooth bore having a length along the axis that is equal to or greater than a length along the axis of four threads of the upper threaded bore. The interior surface may further have a stop feature positioned to prevent insertion of the bottom end of the overhead pipe segment beyond a lower boundary of the upper receiving feature. The stop feature may be a shoulder formed as a single piece with the body. The shoulder may have a generally annular shape with an inside diameter smaller than a minimum inside diameter of the upper threaded bore.

According to one method for penetrating soil with a pipe assembly, the method may include coupling a top end of a subtending pipe segment to a coupler, the coupler having a body having a generally tubular shape having an axis, the body comprising an exterior surface and an interior surface, the interior surface comprising a lower receiving feature, wherein coupling the top end of the subtending pipe segment to the coupler comprises receiving the top end of the subtending pipe segment in the lower receiving feature. The method may further include engaging the coupler with a drive socket, the coupler further having a first flange and a second flange spaced apart from the first flange, wherein the each of the first and second flanges extends generally perpendicular to the axis. The first flange and/or the second flange may be secured to the exterior surface of the body or may be formed unitarily (i.e., integrally) with the body. Engaging the coupler with the drive socket may include inserting the first flange into the drive socket such that the first flange engages the drive socket, and, after insertion of the first flange into the drive socket, inserting the second flange into the drive socket such that the second flange engages the drive socket. The method may further include rotating the subtending pipe segment by transmitting rotation from the drive socket to the coupler via the first and second flanges, and from the coupler to the subtending pipe segment.

The subtending pipe segment may be the bottom pipe segment in the pipe assembly, and may have a soil-penetrating tip and a helical flange extending outward from the axis. The method may further include urging the subtending pipe segment downward in response to rotation of the helical flange within the soil.

The lower receiving feature of the coupler may include a lower smooth bore. Coupling the coupler may include sliding a smooth exterior surface of the top end of the subtending pipe segment into the lower smooth bore of the lower receiving feature. In this case, the coupler can be secured to the top end of the subtending pipe segment by welding or any other suitable method that would cause the coupler to rotate synchronously with the subtending pipe segment. Alternatively, the lower receiving feature may include a lower threaded bore. Coupling the coupler may include threading a threaded exterior surface of the top end of the subtending pipe segment into the lower threaded bore.

The interior surface of the coupler may further have an upper receiving feature with an upper threaded bore. The method may further include, after rotation of the subtending pipe segment, removing the second flange from the drive socket and, after removing the second flange from the drive socket, removing the first flange from the drive socket. The method may further include threading a threaded exterior surface of a bottom end of an overhead pipe segment into the upper threaded bore. The upper receiving feature may further include a lead-in portion above the upper threaded bore. The lead-in portion may have an upper smooth bore having

4

a length along the axis that is equal to or greater than a length along the axis of four threads of the upper threaded bore.

The method may further include, prior to threading the threaded exterior surface of the bottom end of the overhead pipe segment into the upper threaded bore, inserting threaded exterior surface of the bottom end into the upper smooth bore of the lead-in portion. This axially aligns the overhead pipe segment with the coupler to facilitate the threaded engagement between the threaded exterior surface of the bottom end into the upper threaded bore of the coupler.

The interior surface may have a stop feature. Threading the threaded exterior surface of the bottom end of the overhead pipe segment into the upper threaded bore may include abutting the stop feature with the bottom end of the overhead pipe segment to prevent insertion of the bottom end of the overhead pipe segment beyond a lower boundary of the upper receiving feature.

A system for penetrating soil with a pipe assembly may include a subtending pipe segment with a top end, a drive socket, a drive motor assembly coupled to the drive socket to urge rotation of the drive socket, and a coupler. The coupler may have a body with a generally tubular shape having an axis, the body comprising an exterior surface and an interior surface, the interior surface comprising a lower receiving feature. The coupler may further have a first flange secured to the exterior surface, wherein the first flange extends generally perpendicular to the axis, the first flange having a first noncircular shape. The coupler may further have a second flange secured to the exterior surface, wherein the second flange extends generally perpendicular to the axis, the second flange having a second shape which may be circular, noncircular, or substantially identical to the first noncircular shape of the first flange. The lower receiving feature may be shaped to receive the top end of the subtending pipe segment. The first and second flanges may be spaced apart from each other. The drive socket may be shaped to receive the first flange and the second flange such that rotation of the drive socket is transmitted to the body through the first and second flanges.

The subtending pipe segment may be the bottom pipe segment in a pipe assembly, and may have a soil-penetrating tip and a helical flange extending outward from the axis to urge the subtending pipe segment downward in response to rotation of the helical flange within the soil. The system may further have an overhead pipe segment with a bottom end having a threaded exterior surface. The interior surface may further have an upper receiving feature with an upper threaded bore shaped to receive the threaded exterior surface of the overhead pipe segment.

The upper receiving feature may further have a lead-in portion above the upper threaded bore. The lead-in portion may have an upper smooth bore having a length along the axis that is equal to or greater than a length along the axis of four threads of the upper threaded bore. The interior surface may further have a stop feature positioned to prevent insertion of the bottom end of the overhead pipe segment beyond a lower boundary of the upper receiving feature.

In one aspect, the disclosure includes a drive shaft assembly for driving pipe piles that includes a rotary output shaft, a rotary output member and a rotary socket wrench attachment. The rotary output shaft receives power from the driver motor, which is transferred to the rotary output member through mating splines. The rotary output member includes an external head that mates with the rotary socket wrench to transfer power to the socket wrench, which in turn includes internal socket wrench flats that are designed to mate with

5

the pipe pile assembly. A removable grout tube may be used to facilitate the introduction of grout or other materials into the pipe piles. It should be understood that throughout this disclosure the reference to grout is not limited to grout but may be any suitable viscous, hardening material.

This disclosure includes apparatus and methods for delivering grout through a pipe pile assembly continuously while the pipe pile is being driven. Pipe pilings that have continuous grouting while being driven have vastly improved in stability and/or strength because the grout or similar material emitted from the pipe piling and infuses with the soil disturbed to form a grout/soil mixture jacket within the soil along the exterior of the pipe piling column.

In some embodiments, the disclosure includes methods for installing pipe piling that includes driving a pipe pile assembly, coupling a pipe pile section to the driven assembly and driving the connected pile assembly. The steps are repeated until the target length of the column, or target depth of the driven column, is achieved. The pipe piles may include plugged exit ports, and introduction of grout under pressure into the pile assembly may push out the plugs so that grout emits out of the unplugged exit ports. In other embodiments, exit ports are provided that remain unplugged during the driving of the column so that grout can be infused into the disturbed soil during driving.

BRIEF DESCRIPTION OF THE FIGURES

FIG. 1 is a perspective view showing a pile driver head suspended from an articulated boom attached to a movable base. A pipe assembly is attached to and suspended from the driver head.

FIG. 2 is a perspective view showing the driver head, including a motor and drive shaft assembly encased in the pile driver casing. A portion of the attached pipe assembly is shown attached to the socket member.

FIG. 3 is a section view showing the drive shaft assembly removed from the pile driver.

FIG. 4 is an exploded, section view showing the coupler and the top of a subtending pipe segment.

FIGS. 5A and 5B are section and perspective views, respectively, showing the grout plug assembly.

FIG. 6 is a section view of the grout plug assembly as inserted into the coupler in the absence of the subtending pipe segment.

FIG. 7 is a section view showing one embodiment of the pipe assembly including the coupler and grout plug assembly, coupled to the drive socket.

FIG. 8 is an exploded section view illustrating the pipe assembly including the coupler and the grout plug assembly, removed from the drive socket.

FIGS. 9A and 9B are side elevation and perspective views, respectively, showing one embodiment of the coupler.

FIG. 10A is a section view showing one exemplary embodiment of the grout tube, while FIG. 10B is a perspective view of an exemplary removal tool for extracting the grout plug from the coupler.

FIG. 11 is a perspective view showing the tip assembly and bottom end of a helical pile of a pipe assembly according to one alternative embodiment of the invention, with the tip assembly urged out of the bottom end.

FIG. 12 is a perspective view showing the tip assembly and bottom end of FIG. 11, with the tip assembly engaged within the bottom end.

6

FIG. 13 is a section view showing the tip insert, the helical pile, and an overhead pipe segment partially coupled together via couplers and rod assemblies.

FIG. 14 is a section view showing the centralizer of FIG. 13 in greater detail.

FIG. 15 is a section view showing the internal receiving plates of FIG. 13 in greater detail.

FIG. 16 is a cutaway view showing one embodiment of the coupler of FIG. 4 in greater detail.

FIG. 17 is a cutaway view showing the coupler of FIG. 16 coupled to the top end of a subtending pipe segment.

FIG. 18 is a cutaway view showing an alternative coupler.

FIG. 19 is a cutaway view showing the alternative coupler of FIG. 18 coupled to the top end of a subtending pipe segment.

FIG. 20 is a cutaway view showing yet another alternative coupler.

FIG. 21 is a side elevation view of an alternative bottom pile segment designed to enable continuous grouting during driving of the pipe pile.

FIG. 22 is a partial section view of the alternative bottom pile segment of FIG. 21.

FIG. 23 is a perspective partial section view of the alternative bottom pile segment of FIG. 21.

FIG. 24 is a partial section view of another embodiment of a bottom pile segment to enable continuous grouting during driving of the pipe pile.

DETAILED DESCRIPTION OF MODES OF PRACTICING THE DISCLOSURE

Exemplary embodiments of the present disclosure will be best understood by reference to the drawings, wherein like parts are designated by like numerals throughout. It will be readily understood that the components of the present disclosure, as generally described and illustrated in the Figures herein, could be arranged and designed in a wide variety of different configurations. Thus, the following more detailed description of the embodiments of the apparatus, system, and method of the present disclosure, as represented in FIGS. 1 through 24, is not intended to limit the scope of the invention, as claimed, but is merely representative of exemplary embodiments.

The phrases “connected to,” “coupled to” and “in communication with” refer to any form of interaction between two or more entities, including mechanical, electrical, magnetic, electromagnetic, fluid, and thermal interaction. Two components may be coupled to each other even though they are not in direct contact with each other. The term “abutting” refers to items that are in direct physical contact with each other, although the items may not necessarily be attached together. The phrase “fluid communication” refers to two features that are connected such that a fluid within one feature is able to pass into the other feature. “Exemplary” as used herein means serving as a typical or representative example or instance, and does not necessarily mean special or preferred.

Referring to FIG. 1, a drive motor assembly 210 may be contained within motor casing 200. The motor casing 200 may be suspended from a movable boom 100. The movable boom 100 may be on a backhoe, mobile crane, gantry, or other apparatus capable of suspending the motor casing 200 at the desired height and/or position above the ground.

A pipe assembly 400 may be attached to and suspended from the motor casing 200. The pipe assembly 400 may include not only the pipe segment shown in FIG. 1, but may include additional pipe segments, couplers, fittings, and/or

other elements needed to enable the desired depth of penetration, stability, and function. Examples of the movable boom **100** and motor casing **200**, together with a detailed description of the drive motor assembly **210**, can be found in U.S. Pat. Nos. 6,386,295 or 6,942,430, which are incorporated herein by reference. The drive motor assembly **210** may, in the alternative, be attached to a carriage (not shown) that may be movable up and down along a portable tower. Particulars of an exemplary movable tower and carriage can be found in U.S. Pat. No. 7,950,876, which is incorporated herein by reference.

Referring to FIG. 2, the motor casing **200** of FIG. 1 is shown in more detail. The motor casing **200** may enclose the drive motor assembly **210** and a drive shaft assembly **300**. A grout fitting **350** (not shown in FIG. 2), which is optional, may be attached to the top of the drive shaft mechanism. Grout and/or other material may be pumped through grout fitting **350** and through the drive shaft assembly **300** into a pipe assembly **400** before, during or after the pipe assembly **400** is driven into the soil.

Referring to FIG. 3, the drive shaft assembly **300** is shown in cross section in isolation from the drive motor assembly **210** contained within the motor casing **200**. A rotary output shaft **310** may transmit torque, and thence, rotational motion, from the drive motor assembly **210** to a rotary output member **320** through splines **321** formed on the interior of the rotary output member **320**. The splines **321** are best shown in FIG. 8. The bottom end of the rotary output shaft **310** may have splines that mesh with the splines **321** of the rotary output member **320** so that, when the bottom end of the rotary output shaft **310** is seated in the rotary output member **320**, relative rotation between the rotary output shaft **310** and the rotary output member **320** is generally prevented.

The rotary output member **320** may include a square-shaped external head **324** that, in turn, drives a socket member **330**, which may include a drive socket **326** with octagonal socket wrench flats **328** designed to mate with the pipe assembly **400**. The octagonal socket wrench flats **328** are merely one example of a shape suitable for the drive socket **326**; those of skill in the art will recognize that nearly any non-circular shape may be suitable, as long as the shape of the drive socket matches that of the element of the pipe assembly **400** that is to fit into it. The use of an equilateral polygon such as an equilateral hexagon or octagon may beneficially allow insertion of the corresponding element of the pipe assembly **400** into the drive socket **326** at any of multiple discrete relative orientations.

The grout fitting **350** may be connected near the top of the rotary output shaft **310**. The various openings and passages in the grout fitting **350**, rotary output shaft **310**, rotary output member **320**, and socket member **330** may be sufficiently large in size to permit a liquid or slurry such as grout to be pumped through the assembly within a conduit **360** along a flow path (as shown by Arrows B).

The rotary output member **320** may have an external head portion **332** with an interior surface **334** with threads **322** (also shown in FIG. 8) that accept threads **346** (shown in FIG. 10A) of the grout tube **340**. The grout tube **340** may be removably secured to the rotary output member **320** via the threads **322** and the threads **346** so that the grout tube **340** remains axially aligned with the rotary output shaft **310**. The grout tube **340** may also have an opening **341** sufficiently large in size to permit a liquid or slurry such as grout to be pumped through the assembly when installed into rotary output member **320**. The grout tube **340** may have a lower

end that is designed to fit into the grout plug assembly **500** when connected in a manner to be described hereinafter.

Referring to FIG. 4, the pipe assembly **400** may include a coupler **410**. The coupler **410** may be used to attach a grout plug assembly **500** (shown in FIGS. 5A and 5B) to the top of a pipe segment to facilitate introduction of grout or other materials into a pipe assembly, or to attach an overhead pipe to a subtending pipe in the pipe assembly.

As shown, the coupler **410** may have a body **430** with a generally tubular shape that defines an interior surface **432** and an exterior surface **434**. The body **430** may be generally radially symmetrical about an axis **436**. The interior surface **432** may have a lower receiving feature **440** designed to receive the top end of a subtending pipe segment of a pipe assembly, such as the top end **460** of the helical pipe **420** that is shown in FIG. 4. The subtending pipe segment is the pipe segment immediately below the coupler **410**, and may be the bottom pipe segment in the pipe assembly as in the case of the helical pipe **420**, or may be an intermediate pipe segment residing above the bottom pipe segment. The interior surface **432** may also have an upper receiving feature **442** that receives the bottom end of an overhead pipe segment (not shown in FIG. 4).

As shown in FIG. 4, the lower receiving feature **440** may take the form of a lower smooth bore that slidably receives the top end **460**. The top end **460** may also be smooth so as to be slidable along the axis **436** into the lower receiving feature **440**. The top end **460** may be secured within the lower receiving feature via a weld, which may be placed, for example, along the circumference of the very bottom end of the coupler **410**, where the top end **460** enters the lower receiving feature **440**.

The upper receiving feature **442** may include an upper threaded bore **450** that threadably receives a corresponding threaded bottom end (not shown in FIG. 4) of an overhead pipe segment, e.g., the pipe segment immediately above the coupler **410**. The upper receiving feature **442** may also include a lead-in portion **452** that facilitates alignment of the upper threaded bore **450** with the threaded bottom end of the overhead pipe segment. It should be understood that each pipe segment, except for the uppermost and the lowermost pipe segments in the pipe assembly **400**, is both a subtending pipe segment when another pipe segment is disposed above, and an overhead pipe segment when another pipe segment is disposed below.

The lead-in portion **452** may take the form of an upper smooth bore that has an inside diameter that is at least as great as the largest inside diameter of the upper threaded bore **450**. The lead-in portion **452** may advantageously have a length along the axis **436** of at least two threads of the upper threaded bore **450**. This length may be sufficient to help align the coupler **410** with the overhead pipe segment (not shown in FIG. 4) by causing the threaded bottom end (not shown in FIG. 4) to align with the axis **436** as the threaded bottom end passes through the portion **452**. Thus, the threaded bottom end may be aligned with the upper threaded bore **450** by the time the threads are positioned to engage. This may help avoid cross-threading, binding, the need for multiple threading attempts, and other problems that may arise from improper alignment of threaded sections. The lead-in portion **452** may also be sufficiently short that it does not unnecessarily restrict engagement of the two threaded portions or add excessively to the length along the axis **436** of the coupler **410**.

The coupler **410** may also have a stop feature **411** that helps control the depth of insertion of the overhead pipe segment (not shown) and/or the subtending pipe segment,

such as the helical pipe **420**. For example, as shown in FIG. **4**, the stop feature **411** may take the form of a shoulder that protrudes inward relative to the lower receiving feature **440** and the upper receiving feature **442**. Thus, the stop feature **411** may have a generally annular shape (e.g., a ring-like shape). The stop feature **411** may have an interior diameter that is smaller than a minimum diameter of the remainder of the interior surface **432**, and therefore smaller than the smallest diameter of the upper threaded bore **450** and smaller than that of the lower receiving feature **440**.

In the embodiment of FIG. **4**, the stop feature **411** is formed integrally with the body **430**. In alternative embodiments (not shown), the stop feature **411** may be a separate part from the body, and may be secured to the interior surface of the body by welding, brazing, chemical or adhesive bonding, or other methods known in the art.

The stop feature **411** may help to prevent over-insertion of the top end of the subtending pipe segment and/or the bottom end of the overhead pipe segment. According to one embodiment, the pipe assembly may be continuously twisted to drive it further into the ground. This torque may be in a direction that tends to continuously drive the threaded bottom end of the overhead pipe segment further into the upper threaded bore **450** of the upper receiving feature **442**. Depending on the type of threads used for the upper threaded bore **450**, such continued driving torque may tend to cause the threaded bottom end of the overhead pipe segment to bind with the upper threaded bore **450**. Buttress threads may desirably be used for their overall strength, but such threads may be subject to binding in response to over-threading. This binding effect may make it difficult to remove the overhead pipe segment from the coupler **410** and/or weaken the threads securing the overhead pipe segment to the coupler **410**, causing undesired deformation and/or failure of the interconnection.

The stop feature **411** may help to prevent the threaded bottom end of the overhead pipe segment from being over threaded into the upper threaded bore **450**. With the stop feature **411** in place, torque driving the pipe assembly **400** deeper into the earth may not be able to drive the threaded bottom end past a bottom boundary of the upper threaded bore **450** because the bottom threaded end of the overhead pipe segment may abut the upper surface of the stop feature **411**, thereby preventing the threaded bottom end from moving beyond the bottom boundary of the upper threaded bore **450**. Thus, the stop feature **411** may help prevent over-threading of the bottom threaded end into the upper threaded bore **450**.

Similarly, the stop feature **411** may help to prevent over-insertion of the top end of a subtending pipe segment such as the top end **460** of the helical pipe **420** shown in FIG. **4**, into the lower receiving feature **440**. This may be helpful in the context of a smooth top end such as the top end **460**, to prevent over-insertion of the smooth top end, thereby preventing interference of the smooth top end with the upper receiving feature **442**. The stop feature **411** may be of additional use for a coupler with a threaded lower receiving feature, as will be shown and described in connection with FIGS. **18-20**, to prevent thread damage as discussed above in connection with the upper threaded bore **450**.

The coupler **410** may also have a first flange **412** that extends outward from the exterior surface **434** and is generally perpendicular to the axis **436**. The first flange **412** may have a noncircular shape that is designed to mate with the drive socket **326** (see FIG. **3**) so that rotation of the drive socket **326** is conveyed to the coupler **410**. As should be understood by those skilled in the art, a minimum clearance

between the first flange **412** and the drive socket **326** so that the first flange **412** will not bind within the drive socket **326**.

As mentioned previously, the drive socket **326** may have octagonal socket wrench flats **328** that provide the interior of the drive socket **326** with a generally octagonal shape. Thus, the first flange **412** may advantageously have an octagonal shape that mates with that of the drive socket **326**. In alternative embodiments, a variety of non-circular shapes may be used for a first flange, including a hexagon, curved shapes such as ellipses, asymmetrical cam surfaces, ovals, and the like. Such shapes may also include a wide variety of straight-sided shapes. The use of mating equilateral polygons is advantageous in that it may allow insertion of the first flange **412** into the drive socket **326** in any of multiple discrete relative orientations. For example, the octagonal shape of the first flange **412** and the corresponding octagonal shape of the octagonal socket wrench flats **328** may permit insertion of the first flange **412** into the drive socket **326** in any of eight distinct relative orientations.

In alternative embodiments, more than one flange may be used. One such coupler will be shown and described in connection with FIG. **20**.

Referring now to FIGS. **5A** and **5B**, the grout plug assembly **500** is illustrated in greater detail. The grout plug assembly **500** may include a threaded sleeve **510**, the threads of which are designed to thread into the upper threaded bore **450** of the coupler **410** in place of the bottom threaded end of an overhead pipe segment. The grout plug assembly **500** may further include a sleeve seal **520** and a spacer **530**. The sleeve seal **520** may be formed as a single piece as shown in FIGS. **5A** and **5B**, or in alternative embodiments (not shown), may include one or more sleeve sections. In other alternative embodiments (not shown), the threaded sleeve **510**, the sleeve seal **520**, and/or the spacer **530** may be formed as a single piece. The spacer **530** may have an opening **532** with a generally octagonal shape, as best seen in FIG. **5B**.

The sleeve seal **520** may also include recesses **522** for O-ring seals **540**. As will be shown in FIG. **7**, the central openings of the sleeve seal **520** and the spacer **530** of the grout plug assembly **500** may be designed to allow the grout tube **340** to fit through both the sleeve seal **520** and spacer **530**.

The exemplary embodiment of the grout plug assembly **500** shown in FIG. **5A** has a floating sleeve seal **520** that can move laterally (with respect to central axis **432**) to maintain a seal with the grout tube **340**. The grout plug assembly **500** has a threaded sleeve **510**, a sleeve seal **520**, a spacer **530**, and a cap **550**. The cap **550** has peripheral threads **552** that may thread into interior threads **512** of the threaded sleeve **510**. The outer diameter of the sleeve seal **520** is smaller than the inner diameter of the threaded sleeve **510** such that an annular gap **560** is created between the sleeve seal **520** and the threaded sleeve **510**. The presence of the annular gap **560** and o-rings **570** enables the sleeve seal **520** to move laterally while maintaining a proper seal. Hence, the sleeve seal **520** acts as a laterally floating seal.

Referring to FIG. **6**, using a tool (as shown in FIG. **10B**) with a hexagonal protrusion, the grout plug assembly **500** (shown by way of example with the cap **550** removed) may be inserted and removed from coupler **410** by hand. In alternative embodiments (not shown), a mechanized inserter may be used. It should be noted that FIG. **6** shows a hexagonal opening **532**, while FIGS. **5A** and **5B** show an octagonal opening **532**. Of course, the opening **532** can be hexagonal or octagonal or any other suitable shape and the insertion/removal tool (whether manual or mechanical)

would have a corresponding shape. In either engagement of a hexagonal or an octagonal protrusion (not shown) with the opening 532 may facilitate rotation of the grout plug assembly 500 relative to the coupler 410 to thread the grout plug assembly 500 into engagement with the upper threaded bore 450 of the coupler 410. The stop feature 411 may be used to prevent over-insertion of the grout plug assembly 500 into the upper threaded bore 450. Of course, in alternative embodiments, the opening 532 and associated tools and/or protrusions may have different shapes that also serve to convey the desired rotational motion.

Referring to FIG. 7, the grout plug assembly 500 may be inserted into the pipe assembly 400 as described in connection with FIG. 6. The pipe assembly 400 may then be coupled to the drive shaft assembly 300, which may include the grout tube 340. The grout tube 340 may fit into the grout plug assembly 500 as shown. Coupling of the pipe assembly 400 to the drive shaft assembly 300 may entail insertion of the first flange 412 into the drive socket 326 such that the flats of the first flange 412 engage the octagonal socket wrench flats 328 of the drive socket 326.

Once the various components have been assembled as shown in FIG. 7, grout may be introduced through the drive shaft assembly 300 into pipe assembly 400. These components may define a sealed environment that facilitates motion of the grout toward the bottom of the pipe assembly 400.

Because during normal operation the motor casing 200 is suspended from a movable boom 100 (as shown in FIG. 1), the boom operator is challenged to maintain the rotary output shaft 310 (shown in FIG. 3) vertically aligned with the pipe assembly 400 during grouting. Hence, the exemplary embodiment of the various components as assembled and shown in FIG. 7 provides vertical leeway for the boom operator because the coupler 410 can move or "float" vertically within a range within the drive socket 326. As shown in FIG. 7, first flange 412 oscillates vertically within the drive socket 326 (as designated by double Arrow A) without disengaging the grout tube 340 from the grout plug assembly 500. Additionally, the exemplary embodiment of the various components as assembled also provides lateral leeway for the boom operator because the sleeve seal 520 floats laterally within the gap 560 between the sleeve seal 520 and the threaded sleeve 510.

The vertical and lateral leeway provided gives the boom operator leeway to assure that grout or any other material passes through the rotary output shaft 310 and the grout tube 340 and its opening 341 into the pipe assembly 400 without grout hang-up, so that the grout flow is not impeded or clogs.

Also, the lower end 344 of the grout tube 340 has an outer diameter that is less than the smallest diametrical dimension of opening 532 (whether it is hexagonal, octagonal, or any other suitable shape) so that the opening 341 is unobstructed in any way. This permits for the smooth flow of grout or other flowing material into the pipe assembly 400. Hence the rotary output shaft 310, the grout tube 340, and the grout plug assembly 500 combine to define a conduit 360 that provides an unobstructed flow path (designated by Arrows B) for the grout (or other viscous, hardening material) to pass into the pipe assembly 400.

Referring to FIG. 8, after introduction of the desired quantity of grout, the pipe assembly 400 may be disengaged from the drive motor assembly 210 by withdrawing the first flange 412 of the coupler 410 from the drive socket 326. The grout plug assembly 500 may optionally be removed from

the coupler 410 to permit the grout plug assembly 500 to be reused with a different pipe assembly, which may be similar to the pipe assembly 400.

Referring to FIGS. 9A and 9B, a side elevation view and a perspective view, respectively, illustrate the coupler 410 of FIG. 4. An exemplary coupler 410 will be shown in greater detail in connection with FIGS. 16 and 17.

Referring now to FIGS. 10A and 10B, an exemplary grout tube 340 and an installation/removal tool 580 are shown, respectively. The grout tube 340 may have an upper threaded end 342 and a lower end 344. The grout tube 340 has a flow channel 362 which is a portion of the conduit 360 that enables unobstructed grow flow about a flow axis 364 that, during grouting, generally aligns with central axis 436. The upper threaded end 342 may have threads 346 that can be threaded into engagement with the threads 322 of the rotary output member 320. The lower end 344 may have a boss 348 that is shaped to fit into the opening 532 in the spacer 530 of the grout plug assembly 500 without contacting the spacer 530. Thus, the boss 348 may have any shape that clears, without contact, defined sie of the opening 532 of spacer 530.

The installation/removal tool 580 has a body 582, a shaped protrusion 584, and torque handles 586. The shaped protrusion 584 has a shape, whether hexagonal, octagonal, or any other suitable shape, that corresponds to opening 532 in the spacer 530 so that it may engage the opening 532 to thread or unthread the grout plug assembly 500 into or out of the coupler 410 by applying manual torque to the torque handles 586.

The helical pipe 420 of the preceding embodiments may have a soil-penetrating tip that is generally integrated with or fixedly secured to the remainder of the helical pipe 420. In selected embodiments, the bottom pipe segment of a pipe assembly may be configured with a removable tip that facilitates introduction of grout or other material into the soil surrounding the bottom pipe segment. One such example will be shown in connection with FIGS. 11-15, as follows.

Referring to FIG. 11, a perspective view illustrates a pipe assembly 700 according to one alternative embodiment of the invention. The pipe assembly 700 may include a helical pile 710 having internal receiving plates 720. The internal receiving plates 720 may be welded or otherwise secured within the interior of the helical pile 710. A tip assembly 600 may include a block 610 attached to a lower plate 620 and a tip 630. A rod section 640 may also be attached to the block 610 and may extend upward into the helical pile 710.

Referring to FIG. 12, the cross-section of block 610 may be designed to fit into openings 722 of the internal receiving plates 720. In the exemplary embodiment of FIG. 12, cross-sectional shape of the block 610, perpendicular to the axis of the helical pile 710, may be generally square. Thus, the openings 722 may also be generally square in shape as further shown in the section view of FIG. 15. Thus, relative rotation between the block 610 and the internal receiving plates 720 may be generally prevented while the block 610 is seated in the openings 722.

When the block 610 is seated in the openings 722 of the internal receiving plates 720, the lower plate 620 may fit snugly into the inner diameter of helical pile 710. This fit, along with the location of the internal receiving plates 720, may create a flush end as shown in FIG. 12, thus facilitating soil penetration with the tip 630.

Referring to FIG. 13, the pipe assembly 700 optionally includes an overhead pipe segment 750 positioned above the helical pile 710 and secured to the helical pile 710 via a coupler 730. The overhead pipe segment 750 may be

13

coupled to a segment above it via another coupler **730**. The couplers **730** may be different in configuration from the coupler **410** disclosed previously.

Each of the couplers **730** may have an upper receiving feature **842** and a lower receiving feature **844** that are designed to receive the corresponding overhead and subtending pipe segments. The upper receiving feature **842** and the lower receiving feature **844** may each be smooth as shown in FIG. **13**, or in alternative embodiments, such receiving features may have threads or other connecting elements.

If desired, a supplemental coupler (not shown) may be used to secure the bottom end of the overhead pipe segment **750** within the upper receiving feature **842** of the coupler **730** on the helical pile **710**. More precisely, the bottom end of the overhead pipe segment **750** may have internal threading that engages corresponding external threads on such a supplemental coupler, and the supplemental coupler may also have a smooth lower end that engages the upper receiving feature **842** via press fitting or may be secured by welding or the like.

Additional rod sections **640** may also be used to span the height of the pipe assembly **700**. The rod sections **640** may be added with each pipe segment in modular form. Thus, the rod sections **640** may be designed to be secured end-to-end, for example, via connectors **810** and/or sleeves **820**. The connectors **810** and/or sleeves **820** may receive the ends of the rod sections **640** in a relatively secure manner so that downward motion of the topmost rod section **640** is conveyed downward through all of the rod sections **640** to the tip assembly **600**. If desired, each of the rod sections **640** may have a threaded top end and a threaded bottom end, each of which may be threaded into engagement with a corresponding internally threaded end of the associated connector **810**.

Each of the couplers **730** may have a centralizer **740** that receives the corresponding rod section **640** and/or connector **810**. The centralizer **740** may serve to keep the corresponding rod section **640** and/or connector **810** centered along the axis of the helical pile **710** and/or the other pipe segments such as the overhead pipe segment **750**.

Referring to FIG. **14**, a section view illustrates the cross-sectional shape of each of the centralizers **740**. As shown, each of the centralizers **740** may have an opening **742** positioned at its center. The opening **742** may be sized to receive the corresponding rod section **640** and/or connector **810**. If desired, the opening **742** may have a polygonal shape such as the hexagonal shape illustrated in FIG. **14**. The corresponding rod section **640** and/or connector **810** may also have such a polygonal shape so that relative rotation between the centralizer **740** and the corresponding rod section **640** and/or connector **810** is restricted.

In addition to the opening **742**, each centralizer **740** may have a pair of openings **744** that permit flow of grout or other materials through the centralizer **740**. Thus, each centralizer **740** may maintain concentricity of the corresponding rod section **640** and/or connector **810** with the remainder of the pipe segment without significantly restricting grout flow therethrough.

Referring to FIG. **15**, a section view illustrates the cross-sectional shape of each of the internal receiving plates **720**. The generally square shape of the openings **722** is also shown. In alternative embodiments (not shown), block **610** may have a different cross sectional shape such as a different polygonal shape or a curved shape. Although the complementary shapes of the block **610** and the openings **722** serve to prevent relative rotation in the embodiment of FIGS. **11-15**, such relative rotation may be permitted in alternative

14

embodiments. Thus, a cylindrical block (not shown) may be used in combination with internal receiving plates (not shown) with circular openings.

Referring to FIG. **16**, a cutaway view illustrates the coupler **410** in greater detail. The coupler **410** is shown in isolation, i.e., prior to coupling of the coupler **410** to an overhead pipe segment or a subtending pipe segment. The coupler **410** may be designed to receive the top end of a subtending pipe segment that has a smooth exterior surface. This will be shown and described in connection with FIG. **17**.

Referring to FIG. **17**, a cutaway view illustrates the coupler **410** with a subtending pipe segment, which may be the helical pipe **420** shown in FIG. **4**. The top end **460** of the helical pipe **420** may have a smooth exterior surface, which has been inserted into the lower receiving feature **440** of the coupler **410**. As mentioned previously, the top end **460** may be welded in place, for example, by forming a circumferential weld around the bottom edge of the coupler **410** where the top end **460** passes into the lower receiving feature **440**. In alternative embodiments, press fitting, brazing, chemical or adhesive bonding, and/or other methods known in the art may be used to secure the top end **460** to the coupler **410**.

Referring to FIG. **18**, a cutaway view illustrates a coupler **910** according to one alternative embodiment. The coupler **910** may be similar to the coupler **410**, except that the coupler **910** is designed to receive the top end of a subtending pipe segment having a threaded exterior surface. Thus, the coupler **910** may have a body **930** that is somewhat longer than the body **430** of the coupler **410**. The body **930** may have a generally tubular shape with an interior surface **932** and an exterior surface **934**. The body **930** also has an axis (not shown), which may be the axis of symmetry of the generally tubular shape of the body **930**, and thus passes vertically through the center of the body **930** in the orientation of FIG. **18**.

The interior surface **932** may define a lower receiving feature **940**, which may take the form of a lower threaded bore with threads that receive the threads of a threaded exterior surface on the top end of a subtending pipe segment, which will be shown in FIG. **19**. The interior surface **932** may also define an upper receiving feature **442**, which may be substantially identical to that of the coupler **410**. Thus, the upper receiving feature **442** may have an upper threaded bore with a lead-in portion **452**. If desired, the lower receiving feature **940** may be modified to provide a lead-in portion (not shown) similar to the lead-in portion **452** of the upper receiving feature **442**.

The interior surface **932** may also have a stop feature **411** like that of the coupler **410**. In the coupler **910**, the stop feature **411** may separate the upper threaded bore **450** from the threads of the lower receiving feature **940**.

Referring to FIG. **19**, a cutaway view illustrates the coupler **910** with a subtending pipe segment **920**, which may be a helical pipe or a different pipe segment such as a segment positioned above a helical pipe. A top end **960** of the subtending pipe segment **920** may have a threaded exterior surface, which has been threaded into engagement with the threads of the lower receiving feature **940** of the coupler **910**.

The threads of the lower receiving feature **940** and the upper receiving feature **442** may each be oriented such that rotation of the pipe assembly tends to drive the corresponding end of the adjacent pipe segment deeper into threaded engagement with the coupler **910**, thus driving the pipe segment ends toward the stop feature **411**. The stop feature **411** may advantageously help to prevent over-insertion of

both the subtending pipe segment **920** and an overhead pipe segment (not shown) by preventing the threaded end of either pipe segment from passing beyond the top or bottom boundary of the lower receiving feature **940** or the upper receiving feature **442**, respectively.

Referring to FIG. **20**, a cutaway view illustrates a coupler **1010** according to yet another alternative embodiment. Like the coupler **910**, the coupler **1010** may have a body **1030** with a generally tubular shape. The body **1030** may have an interior surface **932** that is substantially the same as that of the body **930** of the coupler **910**, and thus has the features of the interior surface **932** as set forth in the description of the previous embodiment. However, the body **1030** may have an exterior surface **1034** that is different from that of the previous embodiment in that a second flange **1012** extends outward from the exterior surface **1034**, substantially perpendicular to the axis of the body **1030**.

The second flange **1012** may be substantially identical to the first flange **412**, and may also be aligned with the first flange **412** so that the first flange **412** and the second flange **1012** may both be inserted into the drive socket **326** of the socket member **330**. The second flange **1012** may help provide a second point of contact of the coupler **1010** with the drive socket **326**. Thus, the second flange **1012** may beneficially help to maintain coaxiality between the socket member **330** and the coupler **1010** when the coupler **1010** is coupled to the socket member **330**.

This enhanced coaxiality may help smooth the rotary motion imparted to the pipe assembly **400** or the pipe assembly **700** by the socket member **330** through the coupler **1010**, and may also reduce wear between the coupler **1010** and the socket member **330**. Additionally, the coupler **1010** may be less likely to bind or otherwise become lodged within the drive socket **326** of the socket member **330**. Yet further, the presence of the second flange **1012** may make the coupler **1010** easier to align with and properly insert into the drive socket **326**.

Although, as embodied in FIG. **20**, the first flange **412** and the second flange **1012** are substantially identical, this need not be the case in all embodiments. For example, a drive socket (not shown) may have two different cross sectional shapes that receive two differently-shaped flanges. Additionally, first and second flanges according to the invention need not both be non-circular. If desired, one may be non-circular, and may thus be the flange that receives the torque from the corresponding socket member. The other flange may be circular, and may thus not transmit torque, but may instead serve only to help maintain coaxiality between the coupler and the socket member **330**.

According to one method of penetrating soil, a rotary drive motor such as disclosed in U.S. Pat. No. 6,942,430 may be provided with rotary output shaft **310**, rotary output member **320**, socket member **330**, grout tube **340**, and grout fitting **350** as shown and described above. The grout plug assembly **500** may be threaded into the coupler **410** of the pipe assembly **400** by turning spacer **530**, for example, with a hand tool having a protrusion shaped to engage the opening **532** of the spacer **530**. The coupler **410** of the pipe assembly **400** with the grout plug assembly **500** may then be coupled to the socket member **330** by inserting the first flange **412** of the coupler **410** into the drive socket **326** of the socket member **330**.

Once the various components have been coupled to the drive motor assembly **210** as set forth above, the movable boom **100** may raise the drive motor assembly **210** and the pipe assembly **400** until the lower end of pipe assembly **400** can be coupled to the coupler **410** of the pipe segment

already in the ground. This may be done by threading the threaded bottom end of the pipe segment coupled to the drive motor assembly **210** into engagement with the upper threaded bore **450** of the coupler **410** of the pipe segment in the ground.

The pipe assembly **400** may then be driven into the ground, for example, by rotating the pipe segment coupled to the drive motor assembly **210**, thereby inducing rotation of the helical pipe **420**, which draws the pipe assembly **400** deeper into the ground. Once the pipe assembly **400** has reached the desired depth, grout may be pumped into the pipe assembly **400** through the grout fitting **350** and thence, into the borehole created in the earth via introduction of the pipe assembly **400**. With the helical pipe **420**, this may be done by releasing the grout from holes (not shown) that may be positioned proximate the bottom end of the helical pipe **420**. Grout may be released continuously during soil penetration, intermittently during one or more pauses in soil penetration, or only after the pipe assembly **400** has reached its final depth.

If the helical pile **710** is used, the rod sections **640** may be urged downward to urge the tip assembly **600** out of the bottom end of the helical pipe **420** or the helical pile **710**. This may facilitate egress of grout from the bottom end of the helical pile **710** and into the bore hole. If desired, downward motion of the helical pile **710** may be stopped periodically to eject the tip assembly **600**, release grout, and then re-seat the tip assembly **600** prior to continued penetration. Alternatively, in some instances, the tip assembly **600** can be unseated from the helical pile **710** by reversing the rotation and backing the helical pipe **710** off the full depth so that the tip assembly **600** is left at full depth.

Once the grouting process is complete, the pipe assembly **400** may be disengaged from the socket member **330** by removing the first flange **412** of the coupler **410** from the drive socket **326** of the socket member **330**. The grout plug assembly **500** may then be removed from the coupler **410** at the top of the pipe assembly **400** by turning spacer **530** in a direction opposite to that used to thread the grout plug assembly **500** into engagement with the coupler **410**. The next pipe segment may be threaded into engagement with the coupler **410**, and may be coupled to the socket member **330** through the use of another coupler **410**.

Turning now to FIGS. **21** through **23**, an alternative bottom pile segment **1100** designed to enable continuous grouting during driving of the pipe pile assembly. The bottom pile segment **1100** has a central axis (not shown) and comprises a body **1110**, a bottom end plate **1120**, a digging tip **1130**, at least one helical flight **1140**, and at least one grout port **1150**. The body **1110** comprises an upper end **1112** capable of being connected to a pipe assembly **400** and a digging end **1114** that may include an inclined cutting edge **1116**. The bottom end plate **1120** is disposed substantially transverse to the central axis and may be secured to the body **1110** so that grout will not pass the bottom end plate **1120** and any digging tip **1130** secured to the bottom end plate **1120** and/or body **1110** will not be pushed out by grout being introduced into the pipe assembly **400**. At least one helical flight **1140** extends from the exterior of the body **1110** substantially perpendicular to the central axis.

In the embodiment of FIGS. **21** through **23**, the bottom pile segment **1100** has a first helical flight **1142**, a second helical flight **1144**, a first grout port **1152**, and a second grout port **1154**. The first helical flight **1142** is axially spaced from the second helical flight **1144**. The first grout port **1152** is axially spaced from and diametrically opposed to the second grout port **1154**. It should be understood that the bottom pile

segment **1100** could have one or more helical flights of equal or various sizes and could have more than two grout ports disposed at various axial and radial positions. Further, the grout ports can be unplugged or can receive plugs that will be dislodged and unseat from the grout ports when grout is introduced at a predetermined pressure.

With the embodiment shown in FIGS. **21** through **23** as the bottom pile segment of the pile assembly **400**, grout delivered under pressure to the bottom pile segment **1100** will emit through the grout ports **1150**. The grout or a similar material emitted from the grout ports **1150** and infuses with the soil disturbed by the helical flights **1140** to form a grout/soil mixture jacket within the disturbed soil along the exterior of the pile assembly **400**. With this embodiment, grout can be delivered continuously during the driving of the pipe pile assembly **400**, intermittently at regular or non-regular intervals of the driving of the pipe pile assembly **400**, or after the pipe pile assembly **400** is driven to its full depth.

The rate and pressure at which the grout is pumped into the pipe pile assembly **400**, the viscosity of the grout slurry, and the rate at which the pipe pile assembly **400** is urged into the soil will determine the amount of grout in the grout/soil mixture jacket formed within the disturbed soil along the exterior of the pipe pile assembly **400**. This capability affects tremendously the lateral stability of the jacketed pipe pile column formed and can add to the stability of the surrounding soil. Such jacketed pipe pile columns may be particularly suitable and advantageous for use in areas with a high water table, swampy or marsh areas where the soil is soupy by nature and particularly unstable.

Additionally, the pipe pile assembly can be used as a closed loop standing column well component for ground source heat exchange as described in U.S. Provisional Patent Application No. 61-715,756, entitled "Closed Loop Standing Column Well Technology", filed Oct. 18, 2012, and incorporated herein by this reference. Once the pipe pile assembly is driven to the desired depth, the interior of the pipe pile column can be evacuated of grout by injecting a pressurized fluid to push the grout remaining in the column out the grout ports **1150**. Then, if desired a small amount of grout or other material can be introduced to seal the grout ports and close the pipe pile column so that it can be used as a closed loop standing column well component for ground source heat exchange.

Referring now to FIG. **24**, another embodiment of a bottom pile segment **1200** is shown that may enable continuous grouting during driving of the pipe pile assembly **400** in a manner similar to bottom pile segment **1100**. The bottom pile segment **1200** has a central axis (not shown) and comprises a body **1210**, a bottom end plate **1220**, a digging tip **1230**, at least one helical flight **1240**, and at least one grout port **1250**. The body **1210** comprises an upper end **1212** capable of being connected to a pipe assembly **400** and a digging end **1214** that may include an inclined cutting edge **1216**. The bottom end plate **1220** is disposed substantially transverse to the central axis and may be secured to the body **1210** so that grout will not pass the bottom end plate **1220** and any digging tip **1230** secured to the bottom end plate **1220** and/or body **1210** will not be pushed out by grout being introduced into the pipe assembly **400**. At least one helical flight **1240** extends from the exterior of the body **1210** substantially perpendicular to the central axis.

The bottom pile segment **1200** has a first helical flight **1242**, a second helical flight **1244**, a first grout port **1252**, and a second grout port **1254**. The first helical flight **1242** is axially spaced from the second helical flight **1244** a distance A. In one embodiment, distance A which may be about 14

inches. The second helical flight **1244** may be about 10% smaller than the first helical flight **1242** in that the second helical flight **1244** extends outwardly from the body **1210** about 10% less than the first helical flight **1242** and/or the second helical flight **1244** has a thickness B that may be 10% or more less than the thickness C of the first helical flight **1242**. For example, in one embodiment, thickness B may be about 0.50 inches and thickness C may be about 0.63 inches. As shown, the first grout port **1152** is axially spaced from and diametrically opposed to the second grout port **1154**.

It should be understood that the bottom pile segment **1200** could have one or more helical flights of equal or various sizes and could have more than two grout ports disposed at various axial and radial positions. Further, the grout ports can be unplugged or can receive plugs that will be dislodged and unseat from the grout ports when grout is introduced at a predetermined pressure.

It should be understood that neither the bottom pile segment **1100** nor the bottom pile segment **1200** need have a digging tip **1130**, **1230** or an inclined cutting edge **1116**, **1216**, so long as the pipe pile assembly **400** can be urged into the soil.

All references cited herein, including patents, patent applications, and publications, are hereby incorporated by reference in their entireties, whether previously specifically incorporated or not.

Having now fully described the inventive subject matter, it will be appreciated by those skilled in the art that the same can be performed within a wide range of equivalent parameters, concentrations, and conditions without departing from the spirit and scope of the disclosure and without undue experimentation.

While this disclosure has been described in connection with specific embodiments thereof, it will be understood that it is capable of further modifications. This application is intended to cover any variations, uses, or adaptations of the disclosure following, in general, the principles of the disclosure and including such departures from the present disclosure as come within known or customary practice within the art to which the disclosure pertains and as may be applied to the essential features hereinbefore set forth.

What is claimed is:

1. A grouting assembly for receiving a viscous, hardening material and delivering such viscous, hardening material to a pipe assembly for delivery to underground soil proximate the pipe assembly, comprising:

a drive shaft assembly with a central axis, a rotary output shaft, and a drive socket;

a grout tube having a flow channel with a flow axis and a flow opening for aligned connection with the rotary output shaft so that the flow axis aligns with the central axis;

a drivable coupler for rotating engagement with the drive socket and for connection to the pipe assembly, the drivable coupler having internal threads; and

a grout plug assembly having a threaded sleeve, a sleeve seal, a gap between the threaded sleeve and the sleeve seal, and a spacer with a shaped opening, the threaded sleeve is connected to the internal threads of the drivable coupler in threaded engagement, the sleeve seal engages the grout tube in sealed engagement and is laterally movable into the gap while maintaining the sealed engagement with the grout tube.

2. The grouting assembly of claim 1, wherein the drivable coupler is axially movable within the drive socket.

3. The grouting assembly of claim 1, wherein the rotary output shaft, grout tube, and grout plug assembly define a

19

conduit that provides an unobstructed flow path for the viscous, hardening material into the pipe assembly.

4. The grouting assembly of claim 1, wherein the sleeve seal has at least one recess disposed along an interior wall of the sleeve seal and at least one o-ring disposed within the at least one recess, the at least one o-ring sealably engaging the grout tube.

5. The grouting assembly of claim 1, wherein the grout plug assembly has a sealing o-ring disposed between the sleeve seal and the spacer.

6. The grouting assembly of claim 1, wherein the grout plug assembly further comprises a cap and an o-ring seal disposed between the cap and the sleeve seal.

7. The grouting assembly of claim 6, wherein the cap has peripheral threads and the threaded sleeve has inside threads and the cap engages the threaded sleeve in threaded engagement.

8. The grouting assembly of claim 1, wherein the shaped opening is hexagonal.

9. A grout plug assembly for insertion into a drivable coupler and for receiving a grout tube, comprising:

- a threaded sleeve connectable to the drivable coupler in threaded engagement;

20

a sleeve seal connectable to the grout tube in sealed engagement;

a gap between the threaded sleeve and the sleeve seal and the sleeve seal is movable into the gap while maintaining the sealed engagement with the grout tube; and a spacer with a shaped opening.

10. The grout plug assembly of claim 9, wherein the gap is annular.

11. The grout plug assembly of claim 9, wherein the sleeve seal has at least one recess disposed along an interior wall of the sleeve seal and at least one o-ring for disposition within the at least one recess, the o-ring capable of sealably engaging the grout tube.

12. The grout plug assembly of claim 9, further comprising a cap and an o-ring seal, the o-ring seal being disposed between the cap and the sleeve seal.

13. The grout plug assembly of claim 12 wherein the cap has peripheral threads and the threaded sleeve has inner threads, the cap engages the threaded sleeve in threaded engagement.

14. The grout plug assembly of claim 9, wherein the shaped opening is hexagonal.

* * * * *